

Data Sheet

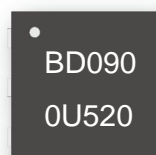
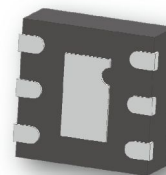
BD090U520-1300

Ultra Low Profile 1300 Balun
50Ω to 200Ω Balanced



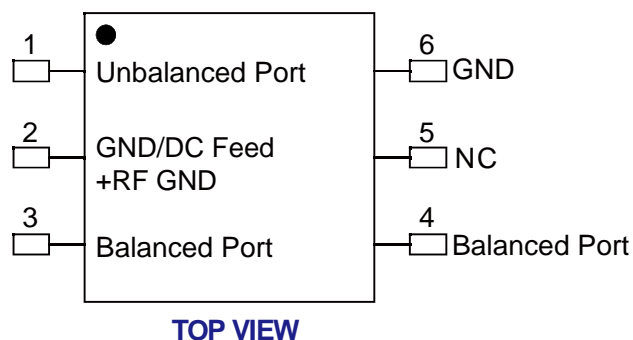
Features:

- 850~980 MHz
- 0.85mm Height Profile
- 50Ohm to 2x100 Ohm
- High CMRR
- Low Insertion Loss
- Input to Output DC Isolation
- Surface Mountable
- Tape & Reel
- Non-conductive Surface
- RoHS Compliant



Applications

- WiMAX
- GPS
- UWB
- Bluetooth
- Zigbee
- GSM



Electrical Specifications at 25° C

Parameter	Symbol	Min	Typ	Max	Unit
Frequency Range	F	850		980	MHz
Unbalanced Port Impedance			50		Ω
Balanced Port Impedance			200		Ω
Return Loss	RL		10		dB
Insertion Loss	IL			1.8	dB
Amplitude balance	Abal		0.25	0.35	dB
Phase balance	Φ bal		1	2	deg
CMRR			37		dB

Yantel Corporation

Add: 3F, Building 3, Southern District 2 of Zhongguan Honghualing Industrial Park, Xili, Nanshan, Shenzhen, China
Tel: 86-755-8355-1886 Fax: 86-755-8355-2533

Rev A1

For detailed performance specs & shopping online see Yantel web site : www.yantel-corp.com

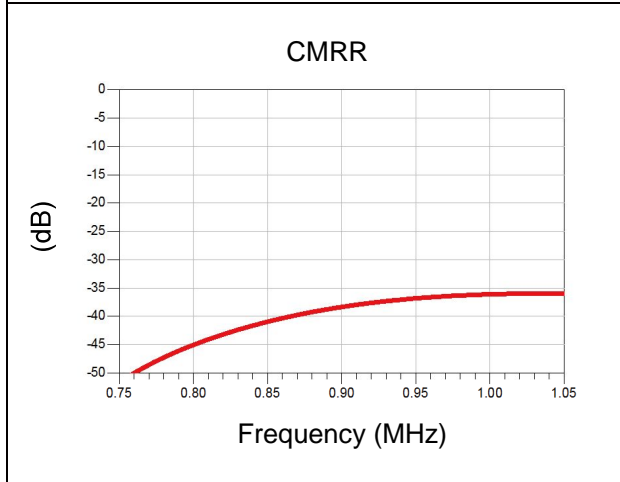
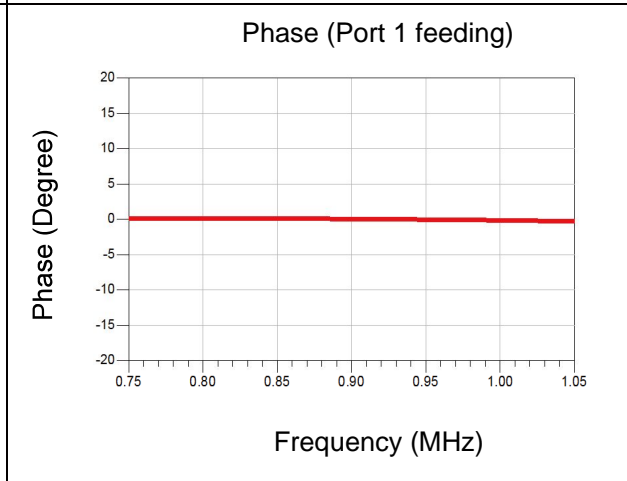
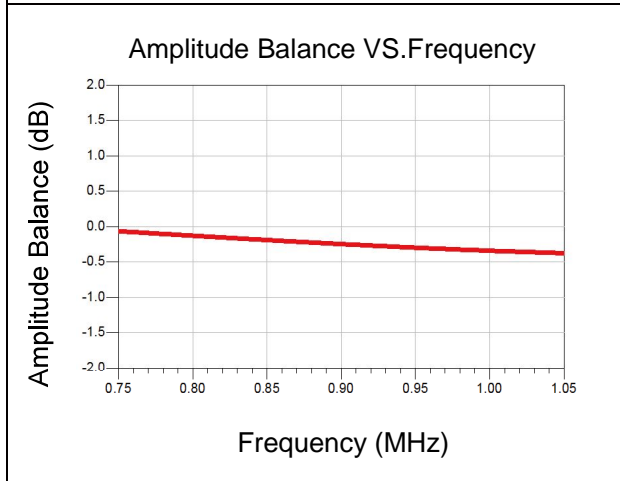
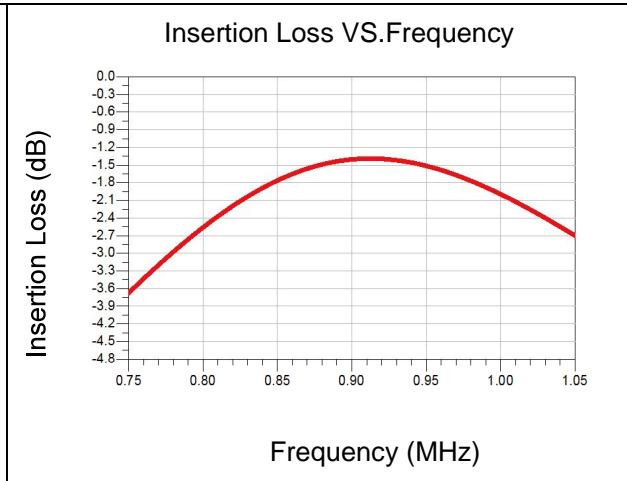
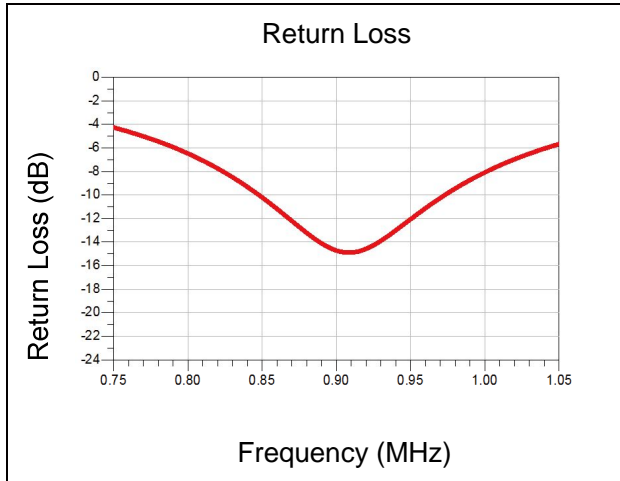
Data Sheet

BD0900U520-1300

Ultra Low Profile 1300 Balun
50Ω to 200Ω Balanced



Typical Performance (25°C: 750-1050 MHz)



Yantel Corporation

Add: 3F, Building 3, Southern District 2 of Zhongguan Honghualing Industrial Park, Xili, Nanshan, Shenzhen, China
Tel: 86-755-8355-1886 Fax: 86-755-8355-2533

Rev A1

For detailed performance specs & shopping online see Yantel web site : www.yantel-corp.com

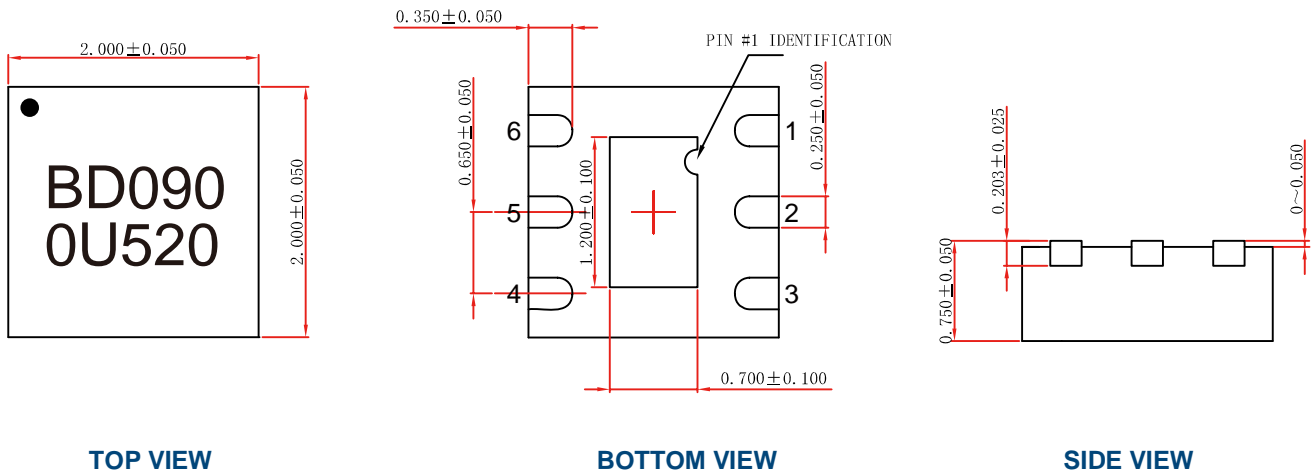
Data Sheet

BD090U520-1300

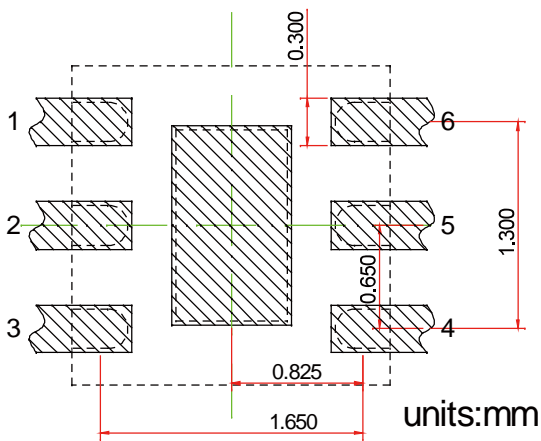
Ultra Low Profile 1300 Balun
50Ω to 200Ω Balanced



Outline Drawing



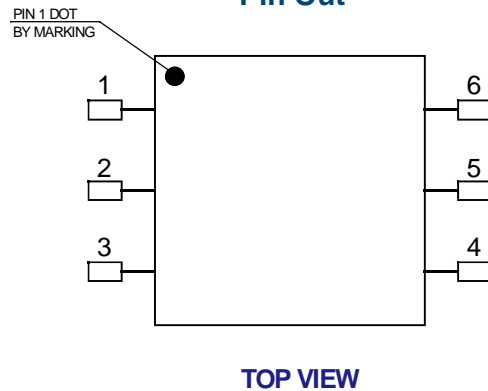
Land Pattern



Recommended Land Pattern Top View

Notes: All dimensions show in millimeters

Pin Out



Pin #	Connection
1	Unbalanced Port
2	GND/DC Feed+RF GND
3	Balanced Port
4	Balanced Port
5	NC
6	GND

Yantel Corporation

Add: 3F, Building 3, Southern District 2 of Zhongguan Honghualing Industrial Park, Xili, Nanshan, Shenzhen, China
Tel: 86-755-8355-1886 Fax: 86-755-8355-2533

Rev A1

For detailed performance specs & shopping online see Yantel web site : www.yantel-corp.com