

# Data Sheet

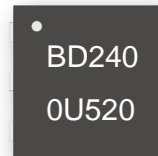
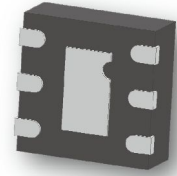
## BD240U520-1365

Ultra Low Profile 1365 Balun  
50Ω to 200Ω Balanced



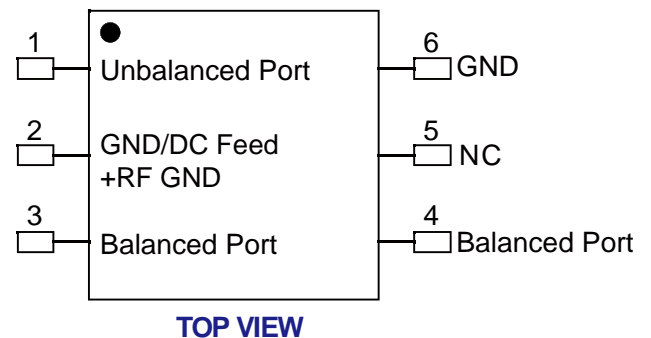
### Features:

- 2300~2500 MHz
- 0.85mm Height Profile
- 50Ω to 2x100 Ω
- High CMRR
- Low Insertion Loss
- Input to Output DC Isolation
- Surface Mountable
- Tape & Reel
- Non-conductive Surface
- RoHS Compliant



### Applications

- WiMAX
- GPS
- UWB
- Bluetooth
- Zigbee
- GSM



### Electrical Specifications at 25° C

Parameter	Symbol	Min	Typ	Max	Unit
Frequency Range	F	2300		2500	MHz
Unbalanced Port Impedance			50		Ω
Balanced Port Impedance			200		Ω
Return Loss	RL		10		dB
Insertion Loss	IL		1.2	1.3	dB
Amplitude balance	Abal		0.5	0.8	dB
Phase balance	Φ bal		3	4	deg
CMRR			28		dB

### Yantel Corporation

Add: 3F, Building 3, Southern District 2 of Zhongguan Honghualing Industrial Park, Xili, Nanshan, Shenzhen, China

Tel: 86-755-8355-1886 Fax: 86-755-8355-2533

Rev A1

For detailed performance specs & shopping online see Yantel web site : [www.yantel-corp.com](http://www.yantel-corp.com)

# Data Sheet

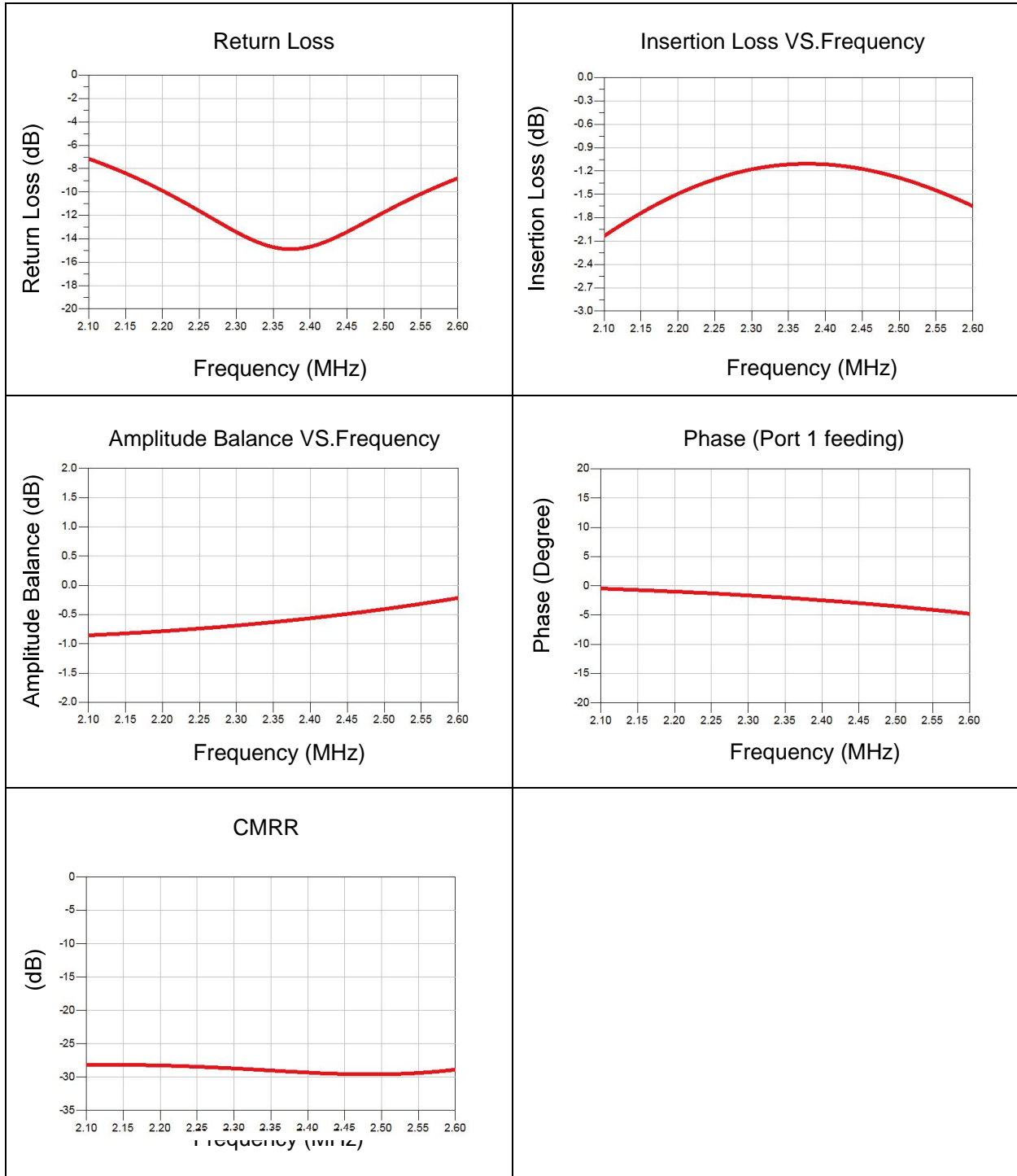
## BD2400U520-1365

### Ultra Low Profile 1365 Balun

### 50Ω to 200Ω Balanced



#### Typical Performance (25°C: 2100-2600 MHz)



#### Yantel Corporation

Add: 3F, Building 3, Southern District 2 of Zhongguan Honghualing Industrial Park, Xili, Nanshan, Shenzhen, China  
 Tel: 86-755-8355-1886 Fax: 86-755-8355-2533

Rev A1

For detailed performance specs & shopping online see Yantel web site : [www.yantel-corp.com](http://www.yantel-corp.com)

# Data Sheet

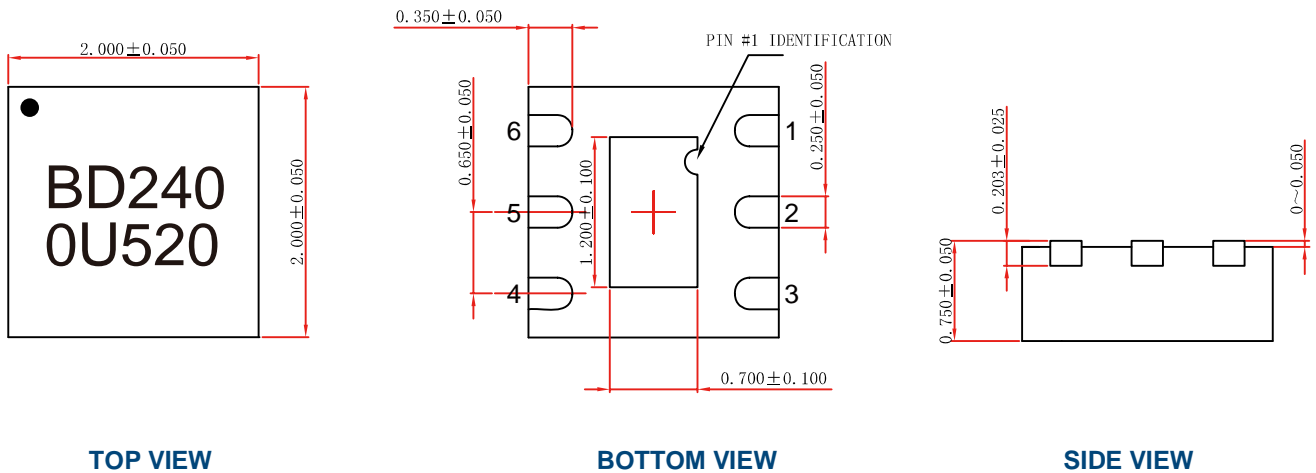
## BD240U520-1365

### Ultra Low Profile 1365 Balun

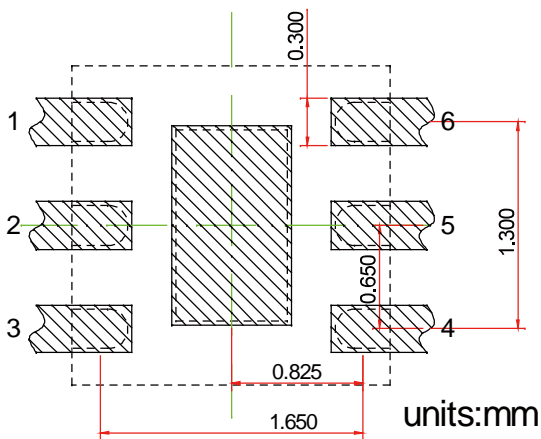
### 50Ω to 200Ω Balanced



## Outline Drawing



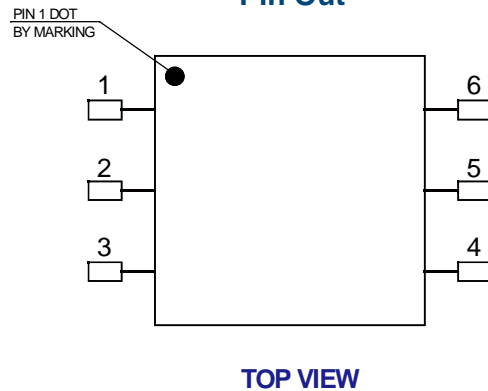
## Land Pattern



## Recommended Land Pattern Top View

Notes: All dimensions show in millimeters

## Pin Out



Pin #	Connection
1	Unbalanced Port
2	GND/DC Feed+RF GND
3	Balanced Port
4	Balanced Port
5	NC
6	GND

## Yantel Corporation

Add: 3F, Building 3, Southern District 2 of Zhongguan Honghualing Industrial Park, Xili, Nanshan, Shenzhen, China  
Tel: 86-755-8355-1886 Fax: 86-755-8355-2533

Rev A1

For detailed performance specs & shopping online see Yantel web site : [www.yantel-corp.com](http://www.yantel-corp.com)