

PD900U03W

Patented Product

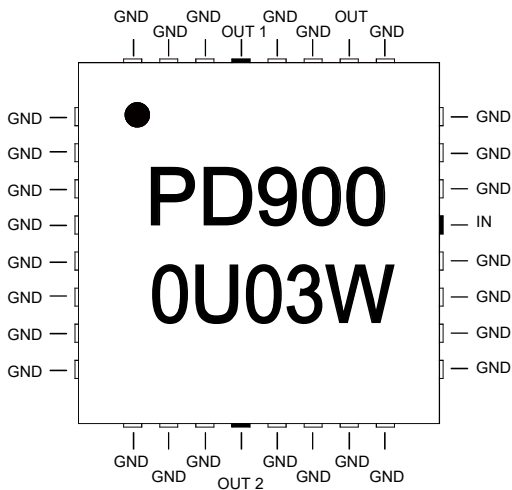
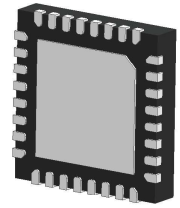
Power Divider/Combiner

2-Way 0° 50Ω DC-18GHz



Features

- Ultra-Wide Bandwidth, DC to 18 GHz
- Small Size, 5x5 mm
- Aqueous Washable
- Good Repeatability
- High ESD level*
- Operating Temperature -40°C~105°C
- Power handling
 - 0.6 Watts as a divider/combiner



TOP VIEW



Applications

- WIMAX
- ISM
- Instrumentation
- Radar
- WLAN
- Satellite Communications
- LTE

Notes:

1. This part has passed through 100% RF test.

* ESD rating

Human body model (HBM): Class 2 (2000 to <4000V) in accordance with ANSI/ESD 5.1-2007

Machine model: Class M3 (200 to <4000V) in accordance with ANSI/ESD 5.2-2009

Yantel Corporation

Add: 3F, Building 3, Southern District 2 of Zhongguan Honghualing Industrial Park, Xili, Nanshan, Shenzhen, China

Tel: 86-755-8355-1886 Fax: 86-755-8355-2533

Rev A1.0

For detailed performance specs & shopping online see Yantel web site : www.yantel-corp.com

PD9000U03W
Patented Product
Power Divider/Combiner
2-Way 0° 50Ω DC-18GHz



Electrical Specifications at 25° C

Parameter	Frequency (GHz)	Min.	Typ.	Max.	Unit
Frequency Range		DC		18	GHz
Insertion Loss Above 3.0 dB	DC-4		3.2		dB
	4-18		3.3		
Isolation	DC-4		13.1		dB
	4-18		26.1		
Phase Unbalance	DC-4		0.3		Degree
	4-18		1.1		
Amplitude Unbalance	DC-4		0.01		dB
	4-18		0.02		
VSWR (Port S)	DC-4		1.5		:1
	4-18		1.3		
VSWR (Port 1-2)	DC-4		1.4		
	4-18		1.4		
Power Handling	As a Splitter	DC-18		0.6	W
	As a Combiner	DC-18		0.6	

Yantel Corporation

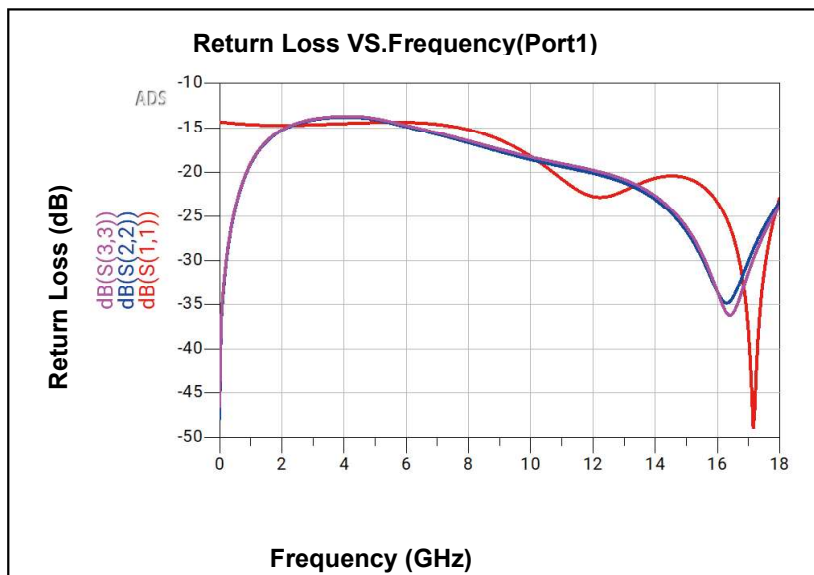
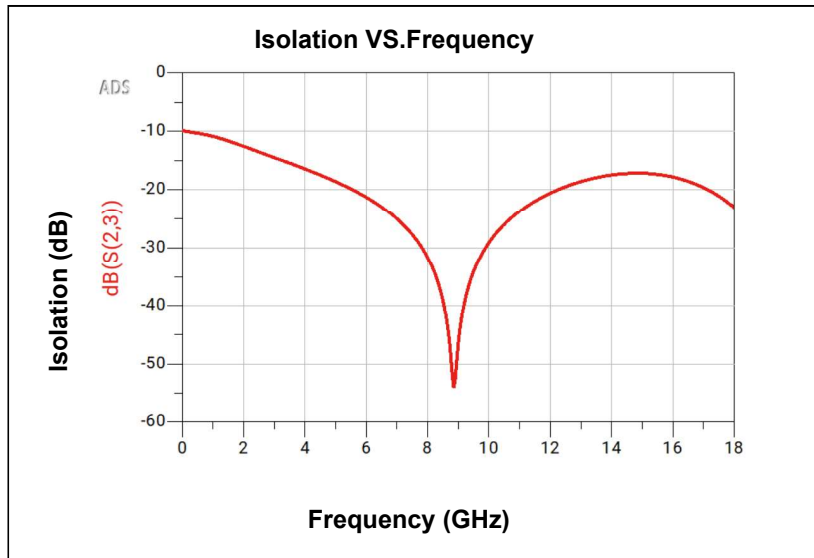
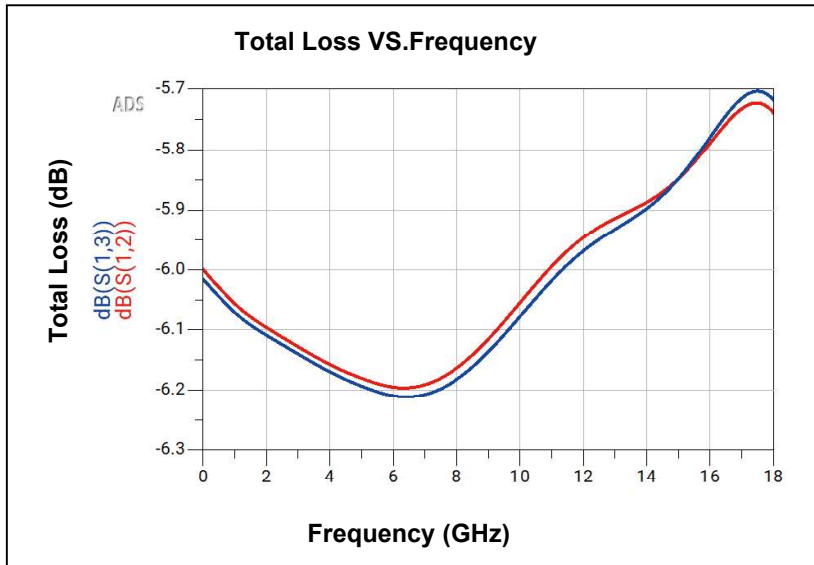
Add: 3F, Building 3, Southern District 2 of Zhongguan Honghualing Industrial Park, Xili, Nanshan, Shenzhen, China
 Tel: 86-755-8355-1886 Fax: 86-755-8355-2533

PD9000U03W

Patented Product

Power Divider/Combiner

2-Way 0° 50Ω DC-18GHz



Yantel Corporation

Add: 3F, Building 3, Southern District 2 of Zhongguan Honghualing Industrial Park, Xili, Nanshan, Shenzhen, China

Tel: 86-755-8355-1886 Fax: 86-755-8355-2533

Rev A1.0

For detailed performance specs & shopping online see Yantel web site : www.yantel-corp.com

PD9000U03W

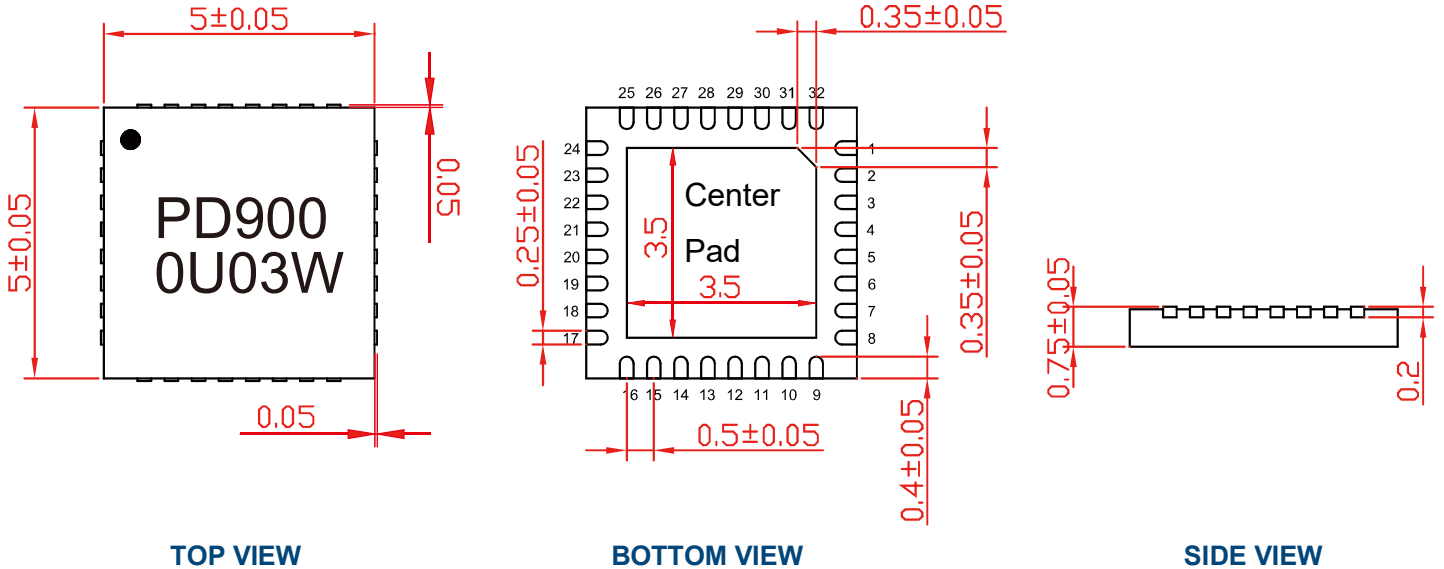
Patented Product

Power Divider/Combiner

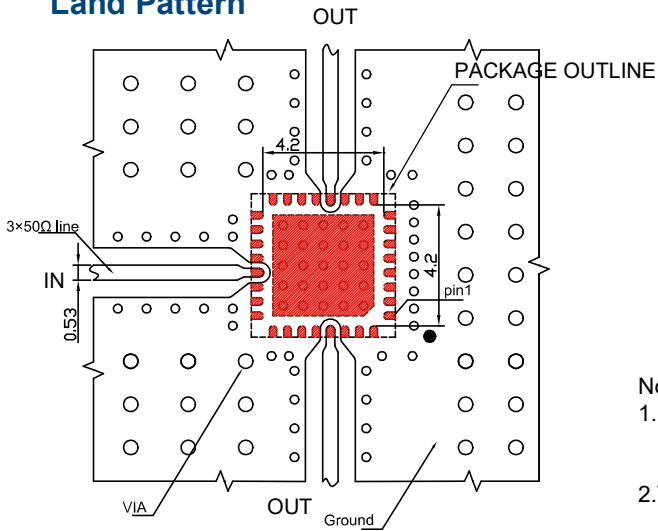
2-Way 0° 50Ω DC-18GHz



Outline Drawing units:mm

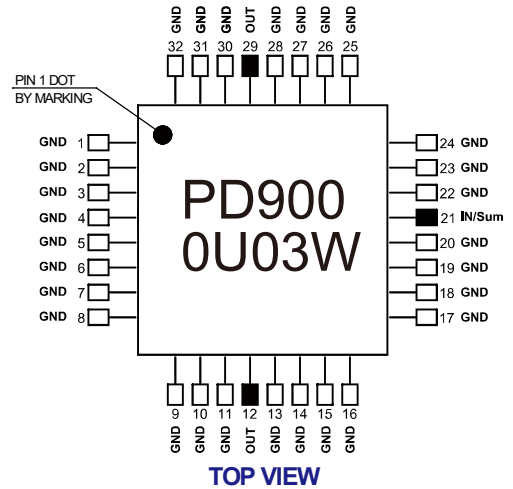


Land Pattern



NOTE:

- 50Ω line width is shown above designing from RO4350B dielectric thickness 0.254mm; copper 1/2 OZ
- Bottom side of the PCB is continuous ground plane.
- All dimensions shown in mm.



Notes:

- Require to add Capacitors of DC Blocker between Pins(with black color) and external circuit to prevent DC signal entry to guranteeparts normal work.
- This part has passed through 100% RF test.

Pin #	Connection	Pin #	Connection	Pin #	Connection
1	GND	13	GND	25	GND
2	GND	14	GND	26	GND
3	GND	15	GND	27	GND
4	GND	16	GND	28	GND
5	GND	17	GND	29	OUT
6	GND	18	GND	30	GND
7	GND	19	GND	31	GND
8	GND	20	GND	32	GND
9	GND	21	IN	Center Pad	GND
10	GND	22	GND		
11	GND	23	GND		
12	OUT	24	GND		

Yantel Corporation

Add: 3F, Building 3, Southern District 2 of Zhongguan Honghualing Industrial Park, Xili, Nanshan, Shenzhen, China

Tel: 86-755-8355-1886 Fax: 86-755-8355-2533

Rev A1.0

For detailed performance specs & shopping online see Yantel web site : www.yantel-corp.com