

Variable Attenuator VAB Series

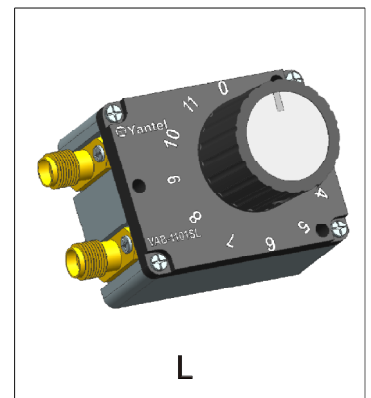
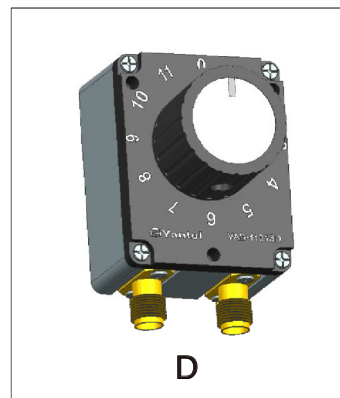
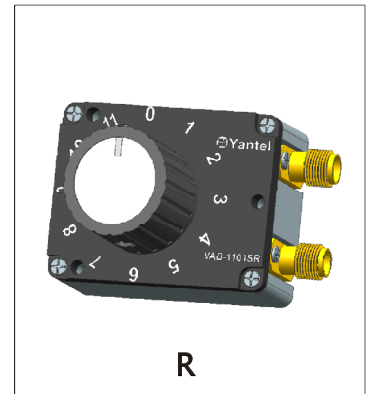
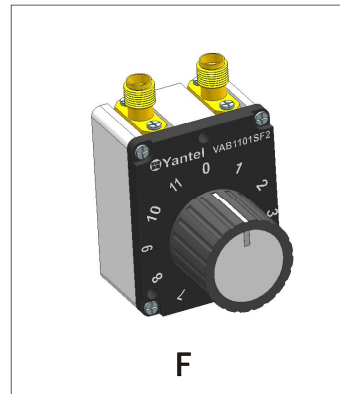
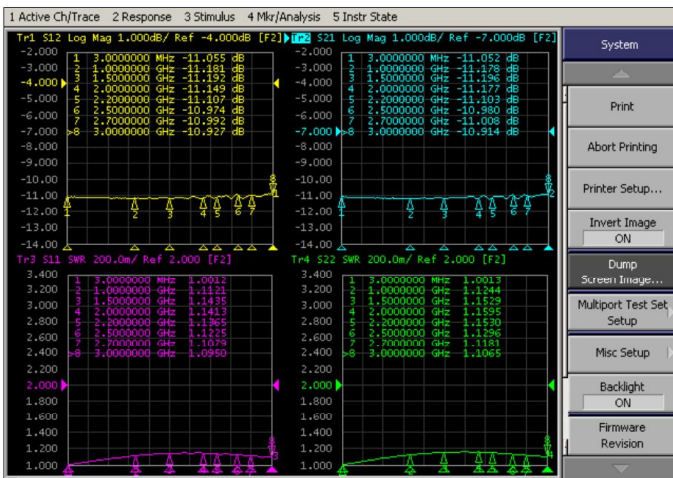
- ◆ DC to 2.7 GHz
- ◆ 0 to 11dB in 1dB Step
- ◆ 2 Watt or 5 Watt
- ◆ SMA Connectors, N type, BNC available

Features

- Ultra small size with innovative microstrip technology
- Available step value:0dB, 1dB, 2dB, 3dB, 4dB, 5dB, 6dB, 7dB, 8dB, 9dB, 10dB, 11dB.
- High accuracy
- High performance low cost
- Impedance: 50 or 75 ohm
- Operation repeatability:10000 times each switch
- POM material in rotary switch,operating up to 85°C
- Smart size

Characteristic

For example the testing curves of VAB1101SF2 of 11dB



Specifications

Frequency Range DC to 2.7GHz
Attenuation 0 to 11dB
Step Value 1dB
Insertion loss at 0dB 0.4dB at 2.7GHz

Attenuation Accuracy
 -0.5dB to +0.7dB from DC to 2.7GHz

Nominal Impedance 50 Ohm
Average Power 2 Watt , 5 Watt
Operating Temperature -40°C to +85°C

Freq. Range (GHz)	VSWR(:1)	
	Typ.	Max.
DC to 2.7	1.15	1.30

Yantel Corporation

Add:3F, Building 3, Southern District 2 of ZhongGuan Honghualing Industrial Park, Xili, Nanshan, Shenzhen, China

Tel: 86-755-8355-1886 Fax: 86-755-8355-2533

Model No. Description

VAB1101SF**

Connector Options:

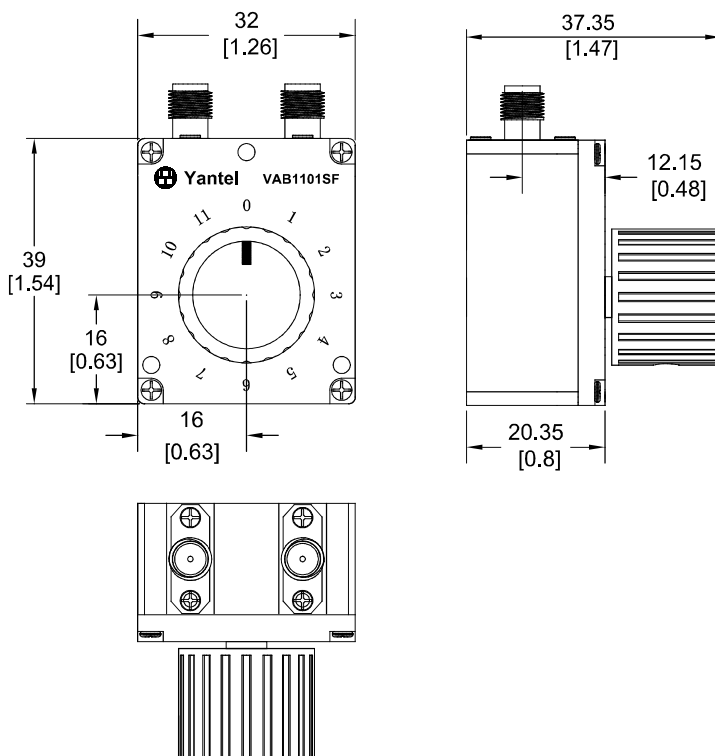
Options	IO
1	Female/Female
2	Male/Female
3	Male/Male

Max. Power: 2 and 5 are available, currently 2W and 5W are available

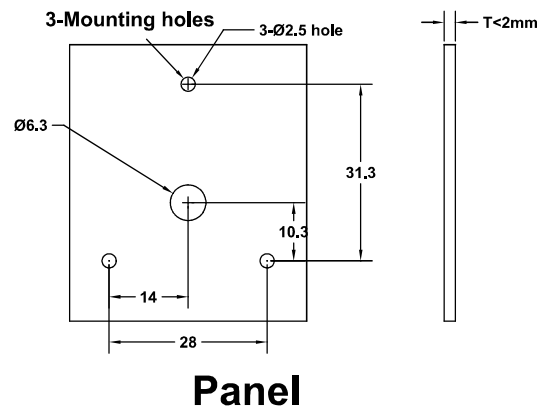
Connector position: "F" represents connectors on upside,
"L" represents connectors on left side,
"R" represents connectors on right side,
"D" represents connectors on underside,

Package Outlines

SMA Connector unit:mm[inch]



Mounting holes



Panel

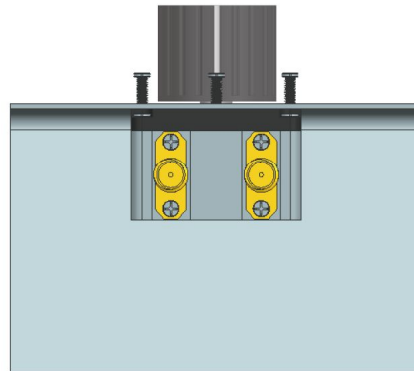
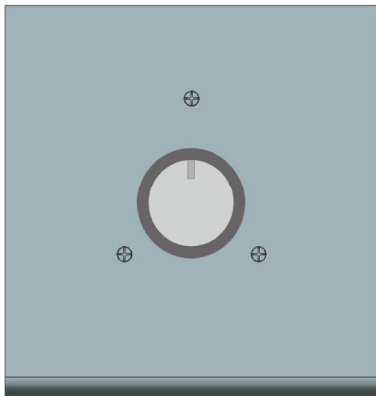
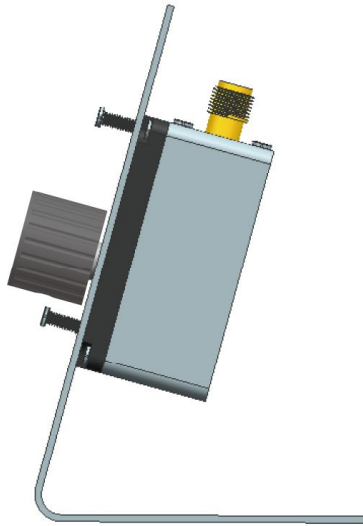
NOTE:

1. ALL dimensions shown in mm(tolerance: +/-0.2mm) unless stated otherwise
2. RoHS Compliant in accordance with EU Directive(2011/65/EU)

Application case:

Repeater: In deploying the indoor repeater system, Rotary Variable Attenuator is ideal to control the signal and keep each repeater in its specific coverage range.

This VAB series can be rack mountable, easier to operate from the rack outside.

**Application**