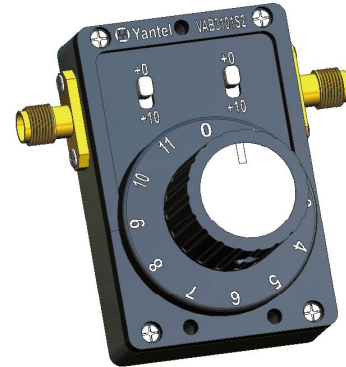


Variable Attenuator

VAB Series

- ◆ DC to 2.7GHz
- ◆ 0 to 31 dB in 1 dB Step
- ◆ 2 Watt or 5 Watt
- ◆ SMA Connectors, N type, BNC available



Features

- Ultra small size with innovative microstrip technology
- Available step value:0~31dB.
- High accuracy
- High performance low cost
- Impedance: 50 or 75 ohm
- Operation repeatability:10000 times each switch
- POM material in rotary switch,operating up to 85°C
- Smart size

Specifications

Frequency Range	DC to 2.7GHz
Attenuation	0 to 31dB
Step Value	1 dB
Insertion loss at 0dB	0.50dB at 2.3GHz
	0.50dB at 2.5GHz
	0.65dB at 2.7GHz

Attenuation Accuracy (typical)	
	0.55dB at 2.3GHz
	0.65dB at 2.5GHz
	-0.5 to +0.8dB dB from DC to 2.7GHz

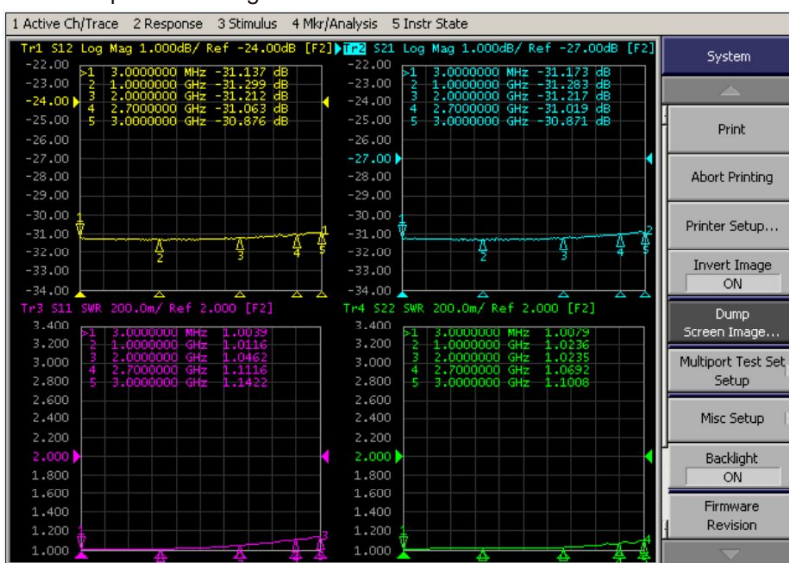
Nominal Impedance	50 Ohm
Average Power	2 Watt
Operating Temperature	-40°C to +85°C

Attenuation 0~31dB

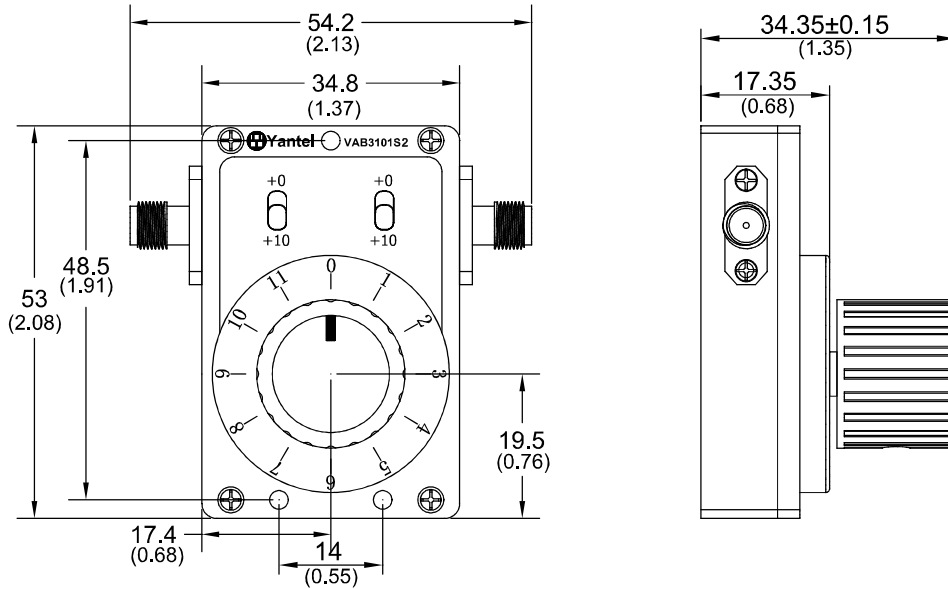
Freq. Range (GHz)	VSWR(:1)	
	Typ.	Max.
DC to 2.7	1.2	1.35

Characteristic

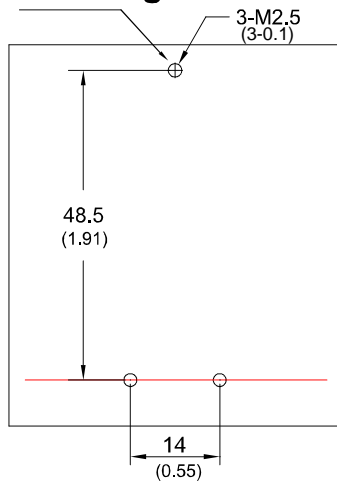
For example the testing curves of VAB3101S2 of 31dB



Package Outlines
SMA Connector Units:mm(inch)



Mounting holes



NOTE:

1. ALL dimensions shown in mm(tolerance: +/-0.2mm) unless stated otherwise
2. RoHS Compliant in accordance with EU Directive(2011/65/EU)

Yantel Corporation

Add: 3F, Building 3, Southern District 2 of ZhongGuan Honghualing Industrial Park, Xili, Nanshan, Shenzhen, China
Tel: 86-755-8355-1886 Fax: 86-755-8355-2533

Application case:

Repeater: In deploying the indoor repeater system, Rotary Variable Attenuator is ideal to control the signal and keep each repeater in its specific coverage range.

This VAB series can be rack mountable, easier to operate from the rack outside.

Application