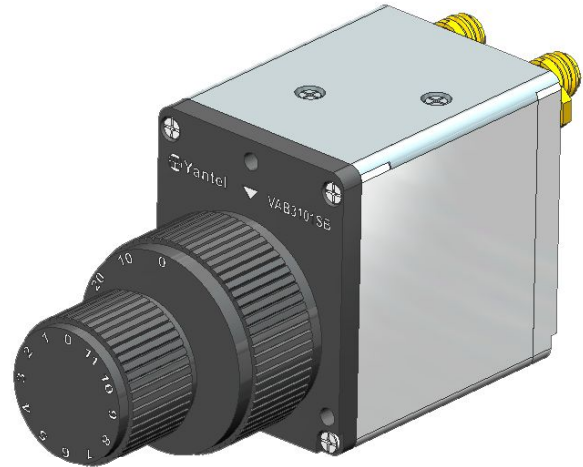


Variable Attenuator VAB Series

- ◆ DC to 2.7GHz
- ◆ 0 to 31 dB in 1 dB Step
- ◆ 2 Watt or 5 Watt available



Features

- Ultra small size with innovative microstrip technology
- Available step value:0~31dB.
- High accuracy
- High performance low cost
- Impedance: 50 or 75 ohm
- Operation repeatability:10000 times each switch
- POM material in rotary switch,operating up to 85°C
- Smart size

Specifications

Frequency Range	DC to 2.7GHz
Attenuation	0 to 31dB
Step Value	1 dB
Insertion loss at 0dB	0.9dB at 2.7GHz

Characteristic

For example the testing curves of VAB3101SB2 of 31 dB

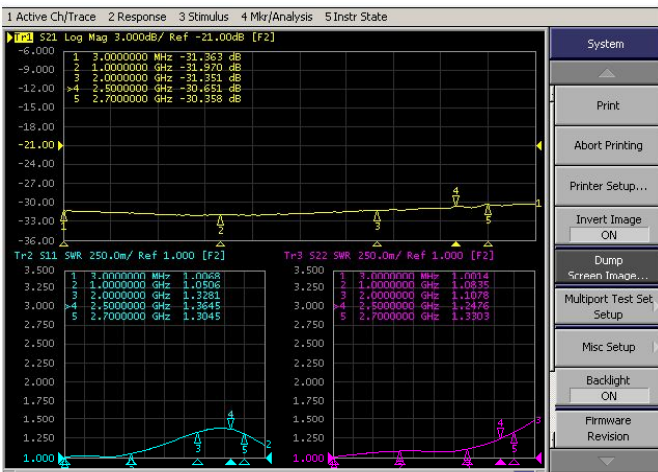
Attenuation Accuracy (Typical)

Attenuation (dB)	Freq. Range (GHz)	Attenuation Accuracy (dB)
0 to 31	DC to 2.7	-1.0~1.5

Nominal Impedance	50 Ohm
Average Power	2 Watt
Operating Temperature	-40°C to +85°C

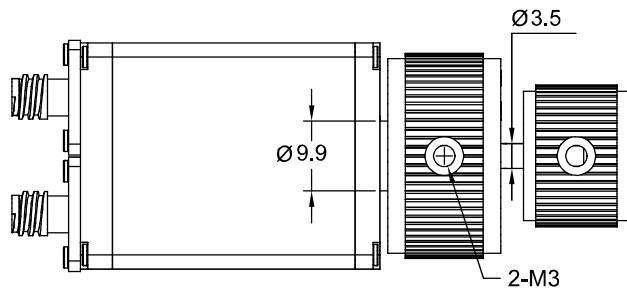
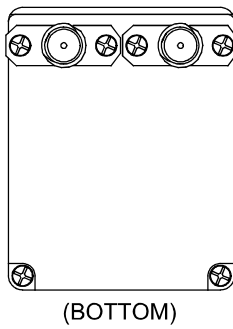
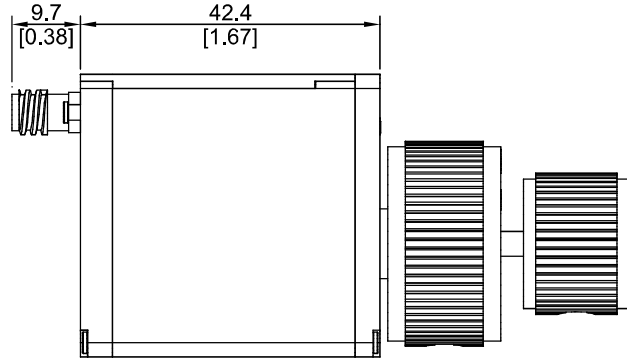
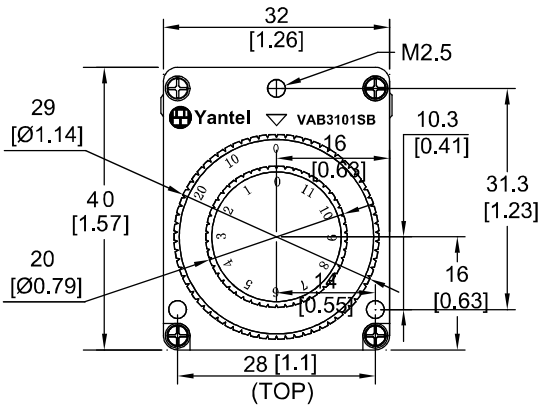
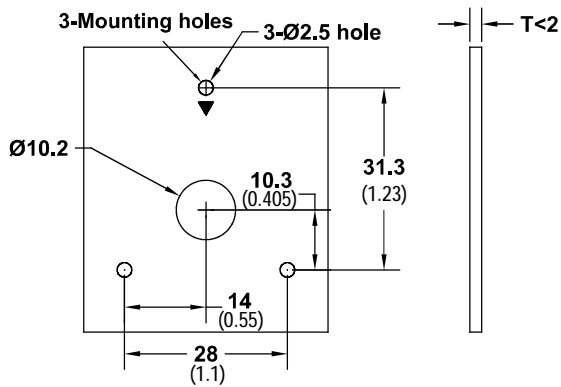
Attenuation 0~31dB

Freq. Range (GHz)	VSWR(:1)	
	Typ.	Max.
DC to 2.7	1.35	1.55



Yantel Corporation

Add: 3F, Building 3, Southern District 2 of ZhongGuan Honghualing Industrial Park, Xili, Nanshan, Shenzhen, China
Tel: 86-755-8355-1886 Fax: 86-755-8355-2533

Package Outlines
SMA Connector
Unit:mm(inch)

Mounting holes

Panel
NOTE:

1. ALL dimensions shown in mm (tolerance: +/-0.2mm) unless stated otherwise
2. RoHS Compliant in accordance with EU Directive(2011/65/EU)

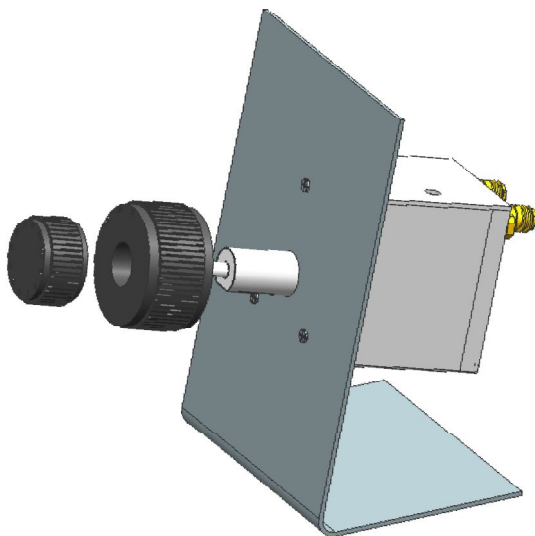
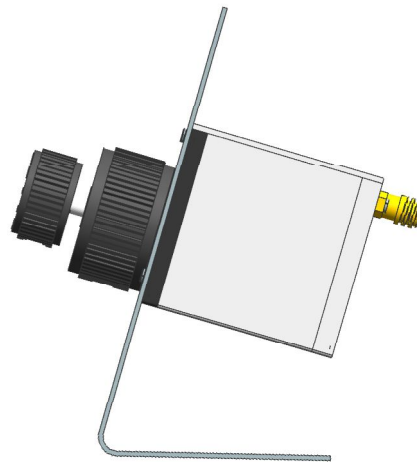
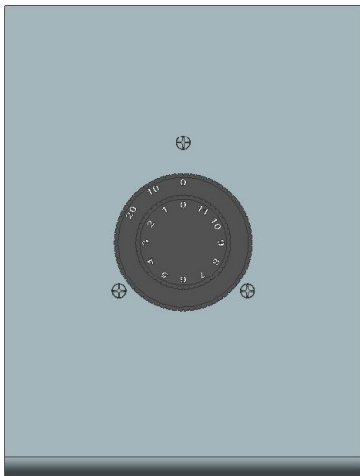
Yantel Corporation

 Add: 3F, Building 3, Southern District 2 of ZhongGuan Honghualing Industrial Park, Xili, Nanshan, Shenzhen, China
 Tel: 86-755-8355-1886 Fax: 86-755-8355-2533

Application case:

Repeater: In deploying the indoor repeater system, Rotary Variable Attenuator is ideal to control the signal and keep each repeater in its specific coverage range.

This VAB series can be rack mountable, easier to operate from the rack outside.

Application**Yantel Corporation**

Add: 3F, Building 3, Southern District 2 of ZhongGuan Honghualing Industrial Park, Xili, Nanshan, Shenzhen, China
Tel: 86-755-8355-1886 Fax: 86-755-8355-2533