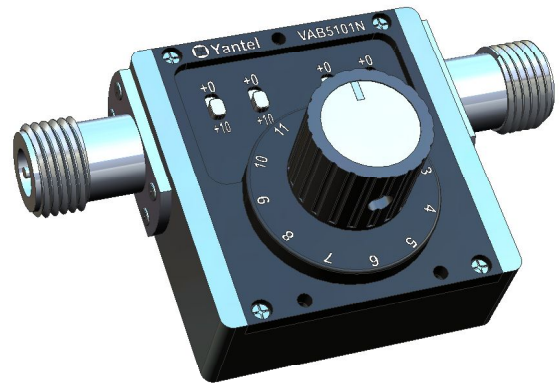


## Variable Attenuator VAB Series

- ◆ DC to 2.7GHz
- ◆ 0 to 51 dB in 1 dB Step
- ◆ 2 Watt or 5 Watt



### Features

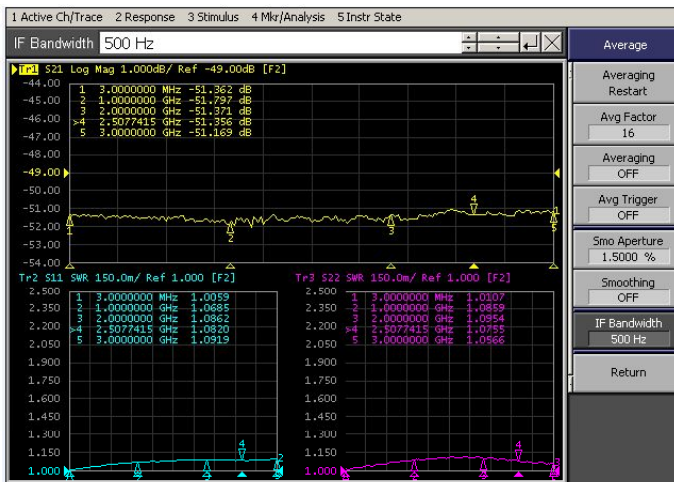
- Ultra small size with innovative microstrip technology
- Available step value:0~51dB.
- High accuracy
- High performance low cost
- Impedance: 50 or 75 ohm
- Operation repeatability:10000 times each switch
- POM material in rotary switch,operating up to 85°C
- Smart size

### Specifications

<b>Frequency Range</b>	<b>DC to 2.7GHz</b>
<b>Attenuation</b>	<b>0 to 51dB</b>
<b>Step Value</b>	<b>1 dB</b>
<b>Insertion loss at 0dB</b>	<b>0.85dB at 2GHz</b>
	<b>1.4dB at 2.7GHz</b>
<b>Attenuation Accuracy (typical)</b>	<b>-0.65dB to +1.5dB from DC to 2.7GHz</b>

### Characteristic

For example the testing curves of VAB5101N2 of 51 dB

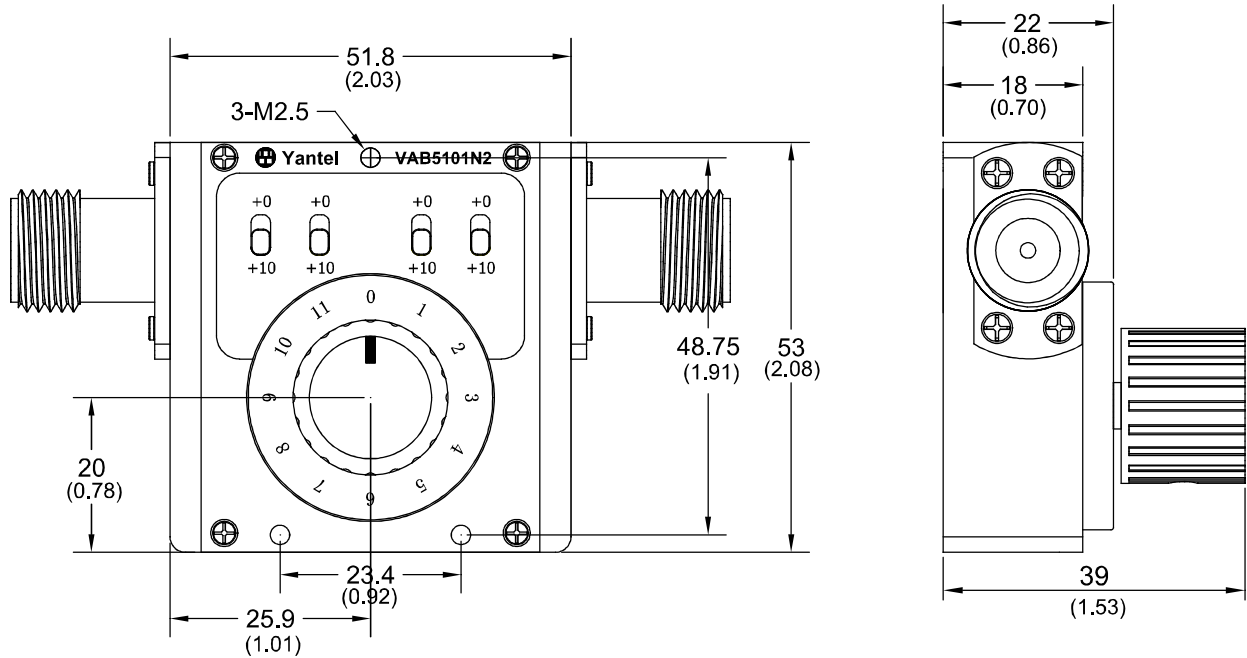


<b>Nominal Impedance</b>	<b>50 Ohm</b>
<b>Average Power</b>	<b>2 Watt</b>
<b>Operating Temperature</b>	<b>-40°C to +85°C</b>

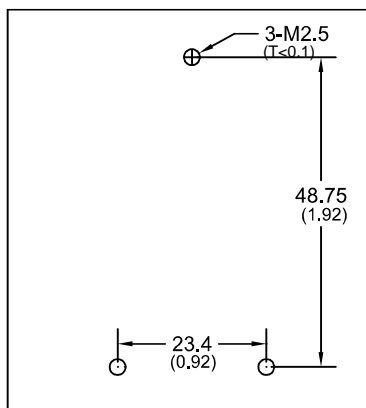
### Attenuation 0~51dB

Freq. Range (GHz)	VSWR(:1)	
	Typ.	Max.
DC to 2.7	1.25	1.40

**Package Outlines Unit:mm (inch)**



**Mounting holes**



**Panel**

**NOTE:**

1. ALL dimensions shown in mm(tolerance: +/-0.2mm) unless stated otherwise
2. RoHS Compliant in accordance with EU Directive(2011/65/EU)

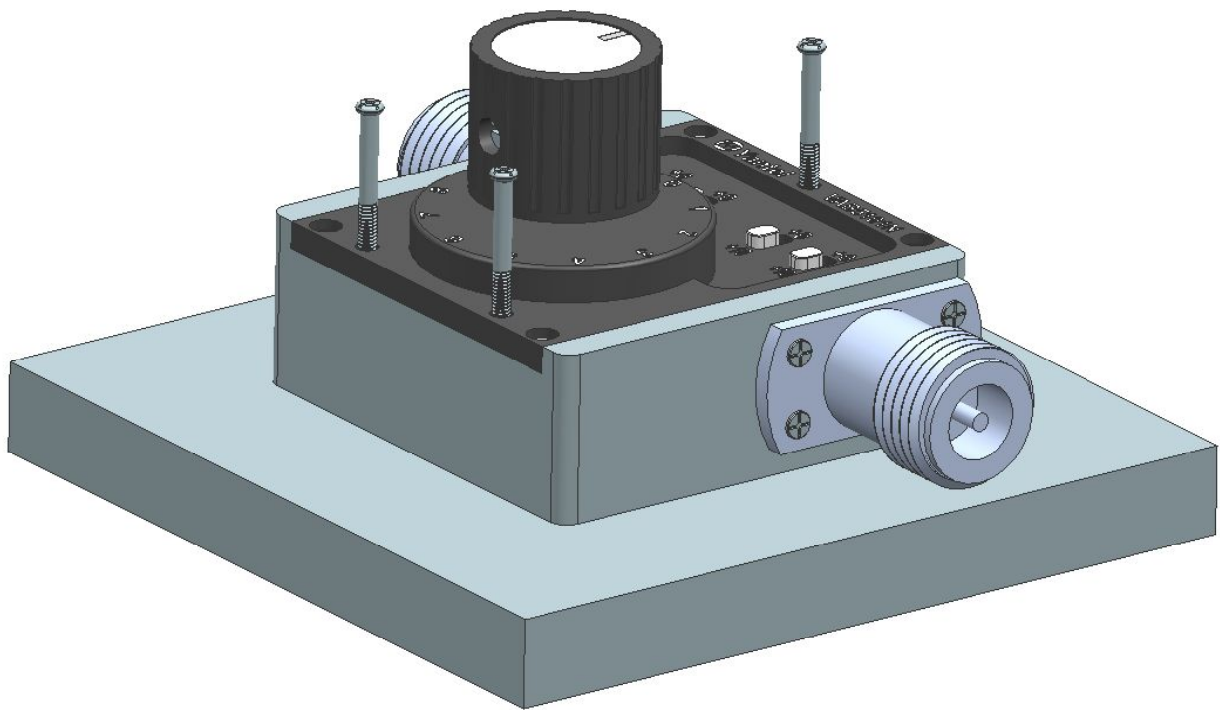
**Yantel Corporation**

Add: 3F, Building 3, Southern District 2 of ZhongGuan Honghualing Industrial Park, Xili, Nanshan, Shenzhen, China  
Tel: 86-755-8355-1886 Fax: 86-755-8355-2533

**Application case:**

**Repeater:** In deploying the indoor repeater system, Rotary Variable Attenuator is ideal to control the signal and keep each repeater in its specific coverage range.

This VAB series can be rack mountable, easier to operate from the rack outside.

**Application**