

Variable Attenuator VAB Series

- ◆ DC to 2.7GHz
- ◆ 0 to 51 dB in 1 dB Step
- ◆ 2 Watt or 5 Watt

Features

- Ultra small size with innovative microstrip technology
- Available step value:0~51dB.
- High accuracy
- High performance low cost
- Impedance: 50 or 75 ohm
- Operation repeatability:10000 times each switch
- POM material in rotary switch,operating up to 85°C
- Smart size

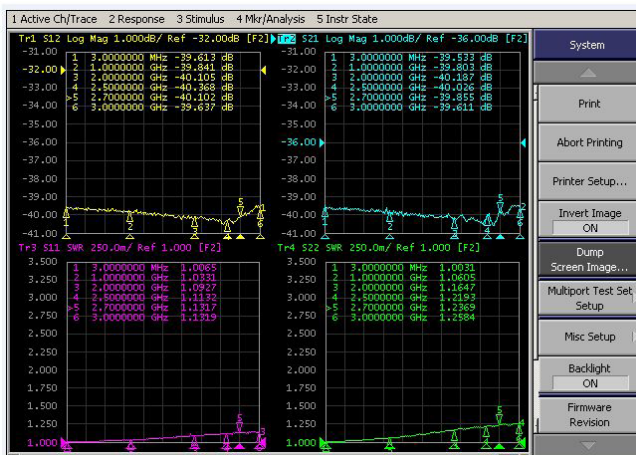


Specifications

Frequency Range	DC to 2.7GHz
Attenuation	0 to 51dB
Step Value	1 dB
Insertion loss at 0dB	0.55dB at 2GHz 0.85dB at 2.7GHz
Attenuation Accuracy (typical)	-0.65dB to +1.2dB from DC to 2.7GHz

Characteristic

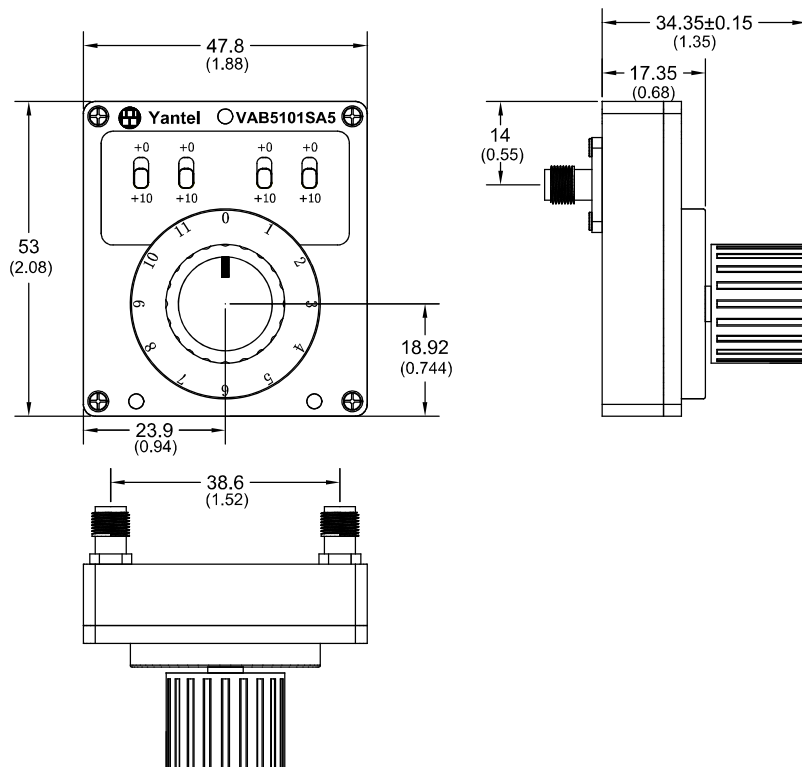
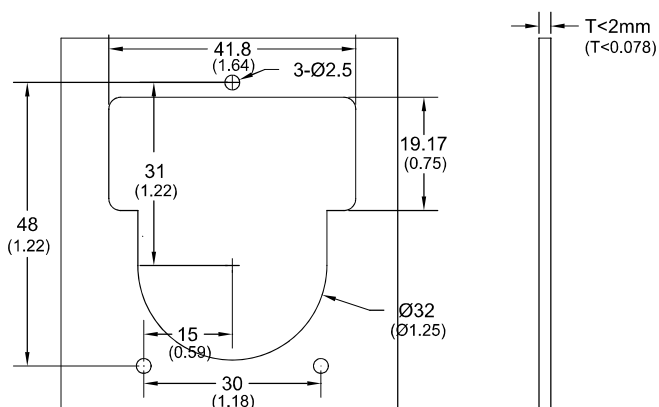
For example the testing curves of VAB5101SA5 of 40 dB



Nominal Impedance	50 Ohm
Average Power	5 Watt
Operating Temperature	-40°C to +85°C

Attenuation 0~51dB

Freq. Range (GHz)	VSWR(:1)	
	Typ.	Max.
DC to 2.7	1.25	1.40

Package Outlines Units:mm(inch)

Mounting holes

Panel
NOTE:

1. ALL dimensions shown in mm (tolerance: ± 0.2 mm) unless stated otherwise
2. RoHS Compliant in accordance with EU Directive (2011/65/EU)

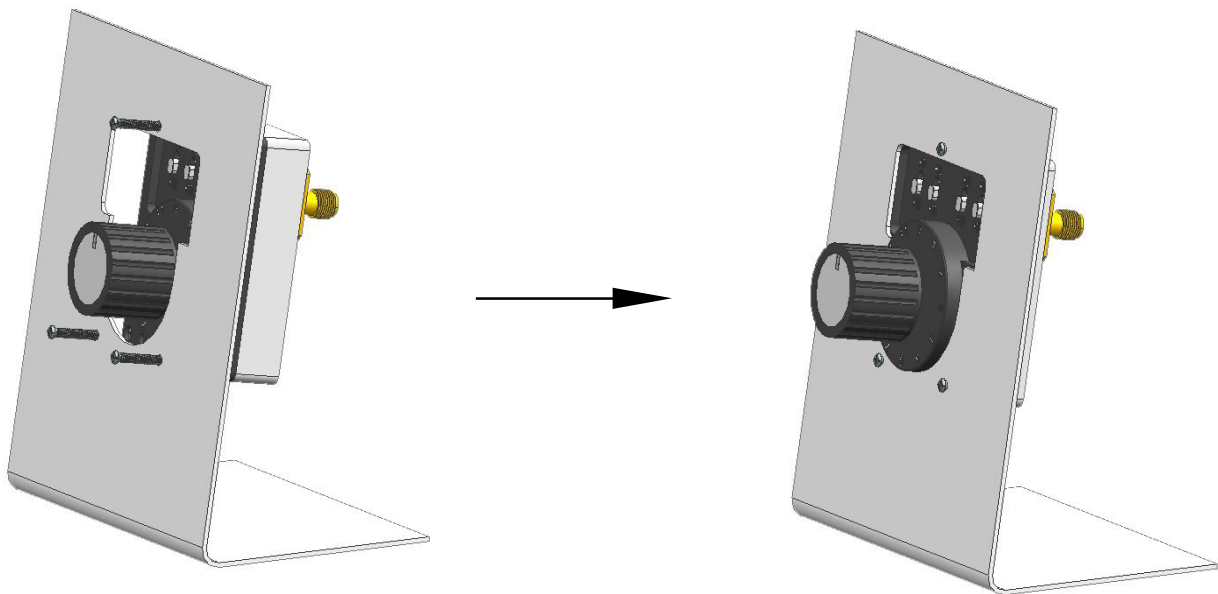
Yantel Corporation

Add: 3F, Building 3, Southern District 2 of ZhongGuan Honghualing Industrial Park, Xili, Nanshan, Shenzhen, China
 Tel: 86-755-8355-1886 Fax: 86-755-8355-2533

Application case:

Repeater: In deploying the indoor repeater system, Rotary Variable Attenuator is ideal to control the signal and keep each repeater in its specific coverage range.

This VAB series can be rack mountable, easier to operate from the rack outside.

**Application**