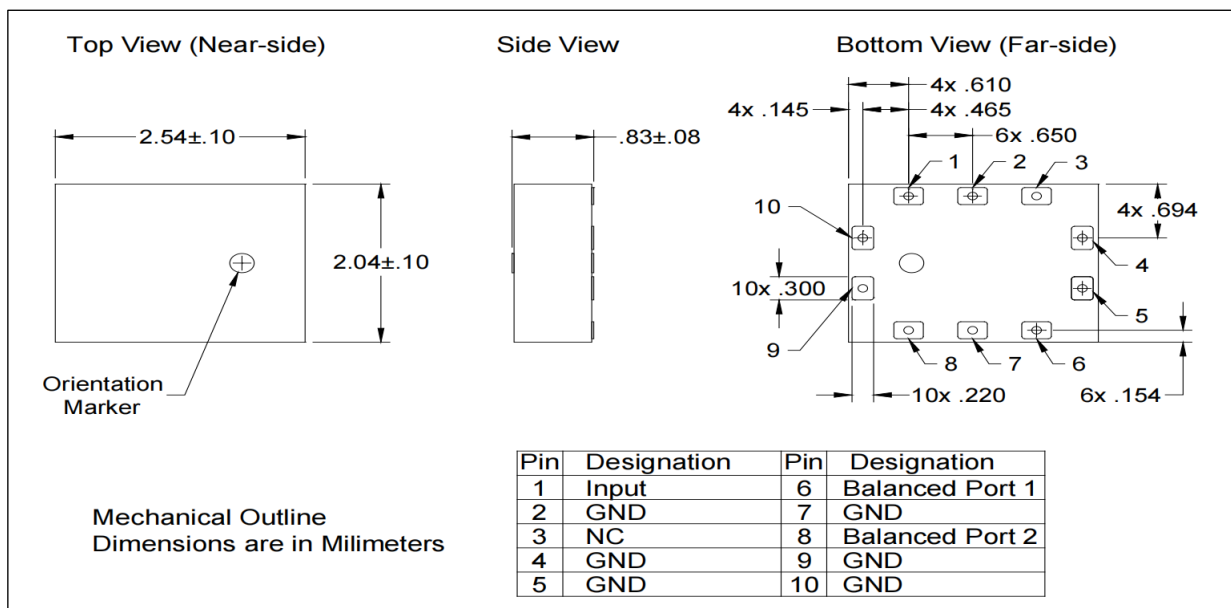


Electrical Specifications at 25 °C

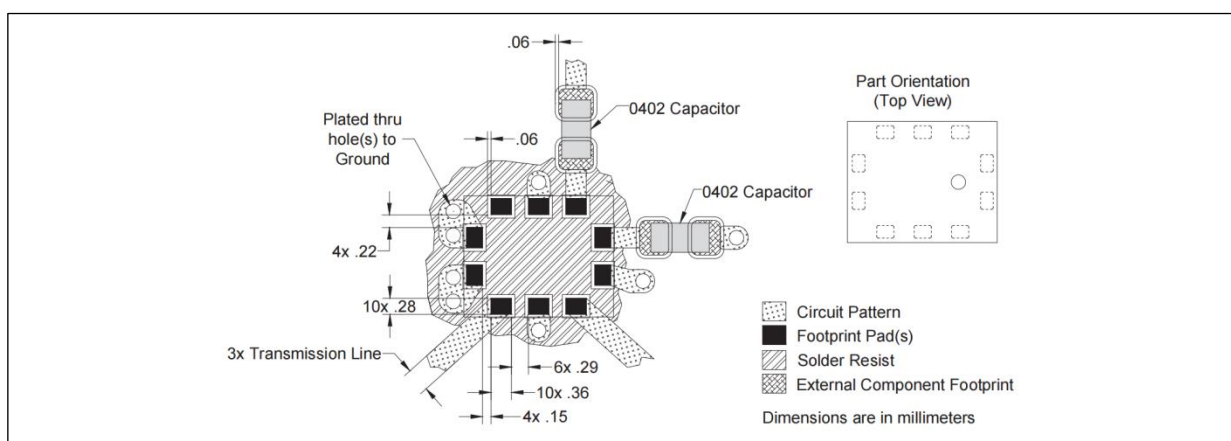
Parameter	ROOM (25°C)						Unit
	Min.	Typ.	Max	Min.	Typ.	Max	
Frequency	50		1450	85		1300	MHz
Unbalanced Port Impedance		50			50		Ohm
Balanced Port Impedance		200			200		Ohm
Return Loss	8	9.8		11	12.3		dB
Insertion Loss*		2.2	2.5		1.2	1.56	dB
Amplitude Balance		0.4	1		0.4	1	dB
Phase Balance		5.6	8		2.6	4	Degrees
CMRR		26			30		dB
Power Handling			0.5			0.5	Watts
Operating Temperature	-55		85	-55		85	°C

*Insertion Loss stated at room temperature (Insertion Loss is approximately 0.15 dB higher at +85 °C). All performances stated for recommended operation with external circuitry.

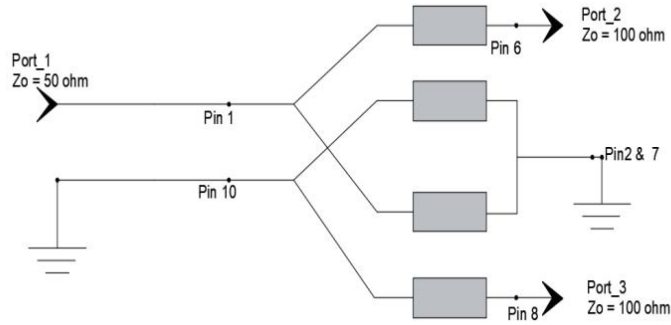
Outline Drawing:



Mounting Configuration:

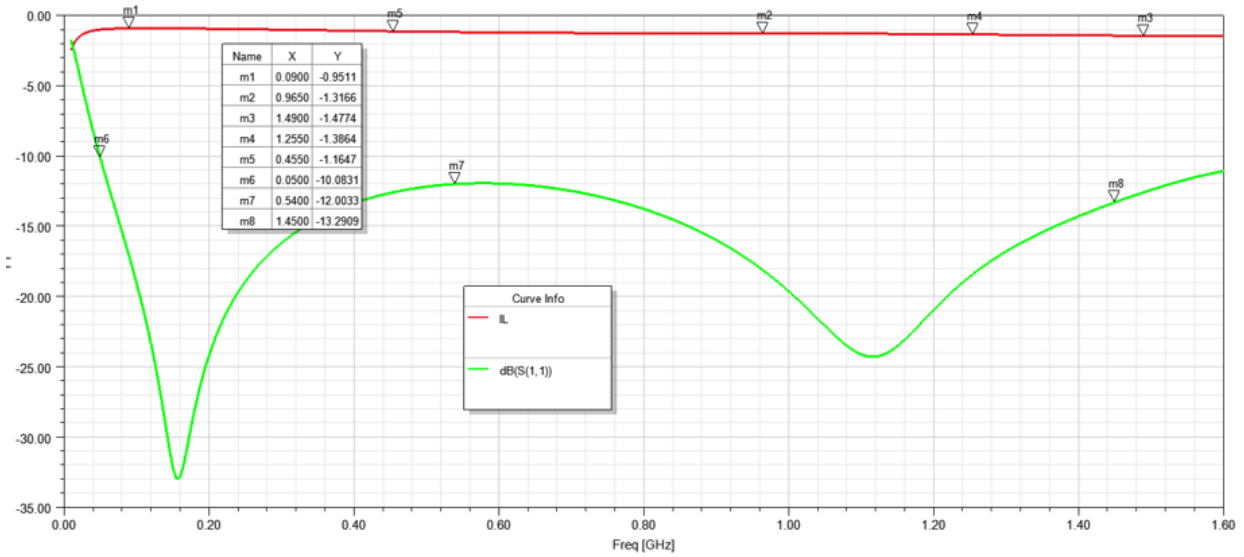


Typical Performance:



The Balun in it's basic configuration with no external components.

IL & RL ←



AMP_balance

