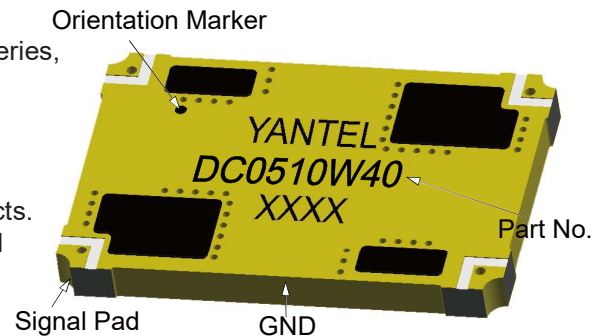


### Description

High-power broadband surface-mounted and embedded coupler series, realizing the power synthesis and distribution of microwave high-power amplifier system, signal acquisition and other functions. Used in active phased array radar, microwave transceiver components, microwave amplifiers, radio stations, satellite communications and other projects, to provide standardized and customized high-quality and reliable products.

The performance and reliability indexes are in line with international products, and the pin definition and package size are compatible with international products, realizing 100% in-situ replacement.



### Features:

- 20-1000 MHz
- DCS & PCS
- Low Insetion Loss
- High Directivity
- Low VSWR
- Good Repeatability
- CTE compatible with FR4, G-10, RF-35, RO4350B and polyimide
- Immersion gold, prevent surface oxidation & scratch
- RoHS Compliant
- Tape & Reel Package available

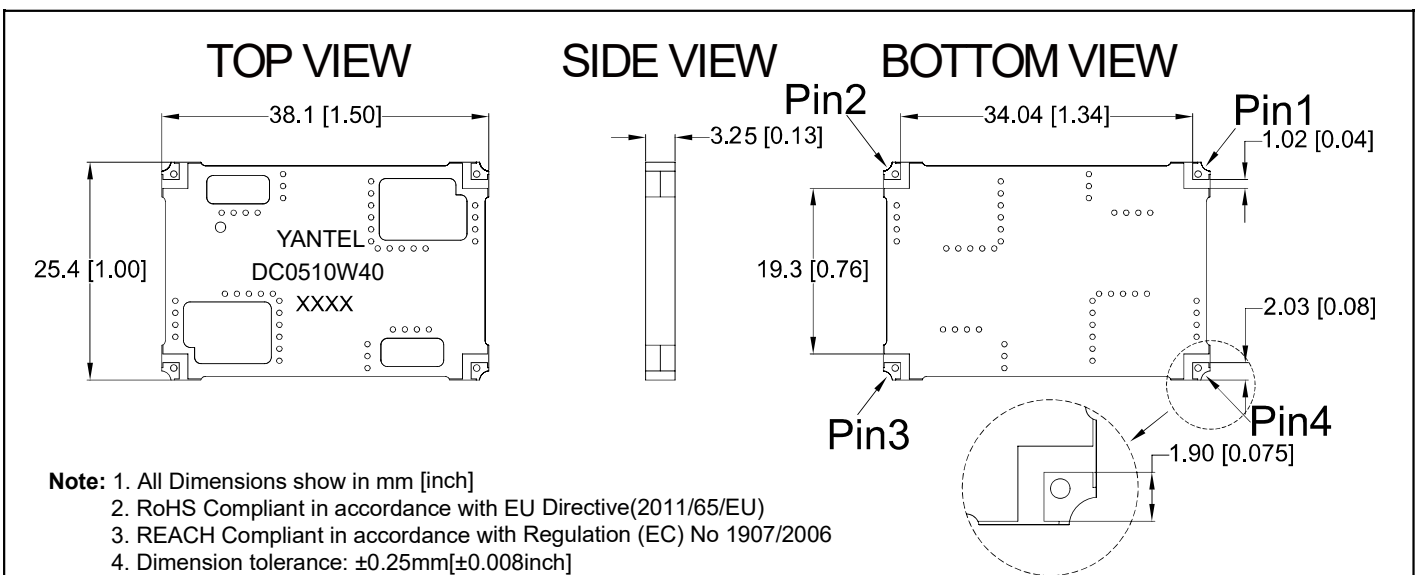
### Electrical Specifications (typical)

Frequency MHz	Forward Coupled dB	Directivity dB Min	Return Loss dB Min
20-30	43.0±2.0	18	20
30-1000	40.0±1.5	18	20
Insertion Loss dB Max	Power Avg. CW Watts	Operating Temp. °C	
0.10	300	-55 to +85	
0.65	300	-55 to +85	

### Note:

1. All above test data resulting from specify demo board.
2. Insertion loss has removed the thru board loss.

### Mechanical Outline



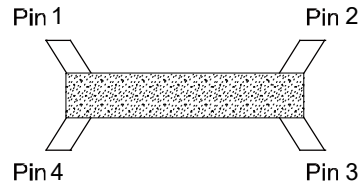
### Yantel Corporation

Add: 3F, Building 3, Southern District 2 of Zhongguan Honghualing Industrial Park, Xili, Nanshan, Shenzhen, China  
Tel: 86-755-8355-1886 Fax: 86-755-8355-2533

For detailed performance specs & shopping online see Yantel web site : [www.yantel-corp.com](http://www.yantel-corp.com)

### Directional Coupler Pin Configuration

The DC0510W40 has an orientation marker to denote Pin1. Once port one has been identified the other ports are known automatically. Please see the chart below for clarification:



Pin 1	Pin 2	Pin 3	Pin 4
Input	Reflected Coupled	Transmission	Forward Coupled
Transmission	Forward Coupled		Input

### Typical Performance Data (@25°C)

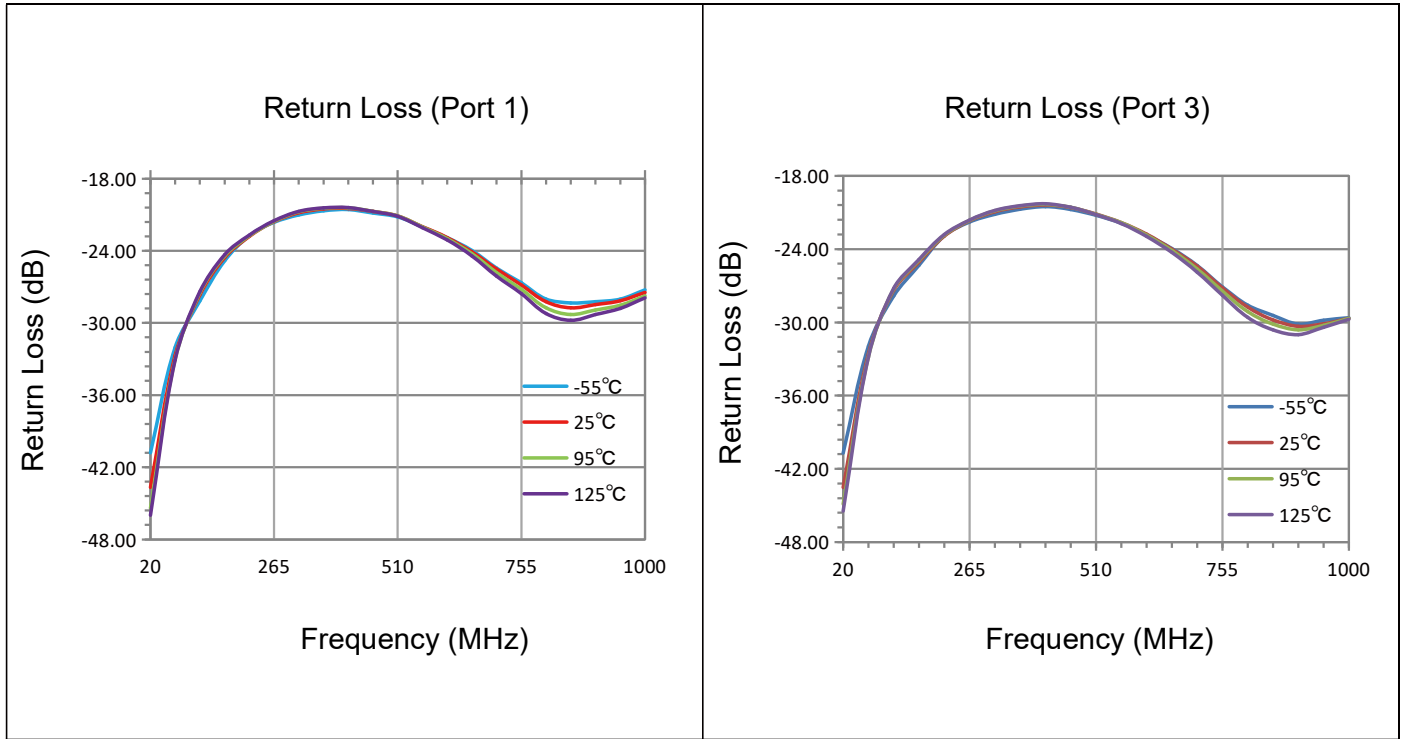
Frequency (MHz)	Forward Coupled (dB)	Transmission (dB)	Insertion Loss (dB)	Reflected Coupled (dB)	Return Loss(dB)	
					S11	S33
20	-43.82	-0.03	-0.03	-64.88	-43.68	-43.52
69	-40.09	-0.03	-0.03	-61.57	-32.72	-32.57
118	-40.24	-0.06	-0.06	-61.44	-27.67	-27.37
167	-40.54	-0.10	-0.10	-61.83	-24.56	-25.05
216	-40.74	-0.15	-0.15	-62.48	-22.81	-22.93
265	-40.90	-0.20	-0.20	-62.16	-21.56	-21.68
314	-40.96	-0.25	-0.25	-62.22	-20.84	-20.93
363	-40.88	-0.30	-0.30	-63.39	-20.51	-20.54
412	-40.86	-0.35	-0.35	-64.48	-20.48	-20.39
461	-40.75	-0.39	-0.39	-65.01	-20.73	-20.59
510	-40.63	-0.43	-0.43	-65.51	-21.10	-21.13
559	-40.50	-0.46	-0.46	-66.22	-21.99	-21.82
608	-40.36	-0.50	-0.50	-65.14	-22.90	-22.77
657	-40.09	-0.53	-0.53	-68.03	-24.09	-24.00
706	-39.91	-0.56	-0.56	-68.03	-25.52	-25.39
755	-39.70	-0.58	-0.58	-68.33	-26.84	-27.18
804	-39.50	-0.60	-0.60	-69.85	-28.24	-28.76
853	-39.36	-0.60	-0.60	-72.85	-28.75	-29.79
902	-39.26	-0.61	-0.61	-78.24	-28.46	-30.32
951	-39.27	-0.60	-0.60	-67.71	-28.16	-30.12
1000	-39.80	-0.58	-0.57	-65.57	-27.46	-29.68

### Yantel Corporation

Add: 3F, Building 3, Southern District 2 of Zhongguan Honghualing Industrial Park, Xili, Nanshan, Shenzhen, China  
 Tel: 86-755-8355-1886 Fax: 86-755-8355-2533

For detailed performance specs & shopping online see Yantel web site : [www.yantel-corp.com](http://www.yantel-corp.com)

**Typical Performance ( -55°C, 25°C, 95°C, 125°C : 20-1000 MHz)**

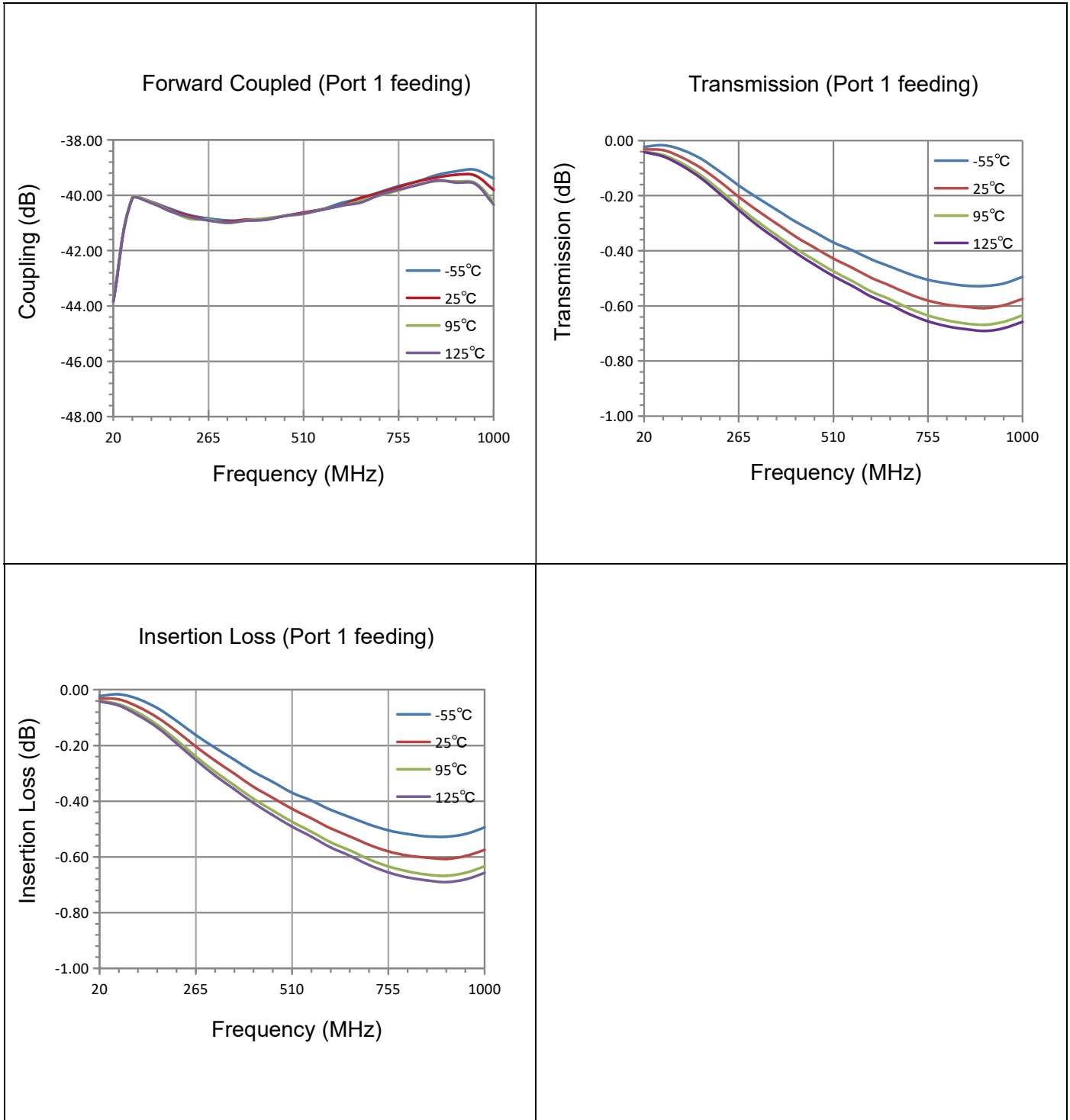


**Yantel Corporation**

Add: 3F, Building 3, Southern District 2 of Zhongguan Honghualing Industrial Park, Xili, Nanshan, Shenzhen, China  
 Tel: 86-755-8355-1886 Fax: 86-755-8355-2533

For detailed performance specs & shopping online see Yantel web site : [www.yantel-corp.com](http://www.yantel-corp.com)

**Typical Performance ( -55°C, 25°C, 95°C, 125°C : 20-1000 MHz)**



**Yantel Corporation**

Add: 3F, Building 3, Southern District 2 of Zhongguan Honghualing Industrial Park, Xili, Nanshan, Shenzhen, China  
 Tel: 86-755-8355-1886 Fax: 86-755-8355-2533

For detailed performance specs & shopping online see Yantel web site : [www.yantel-corp.com](http://www.yantel-corp.com)

### Description of Measured Specifications

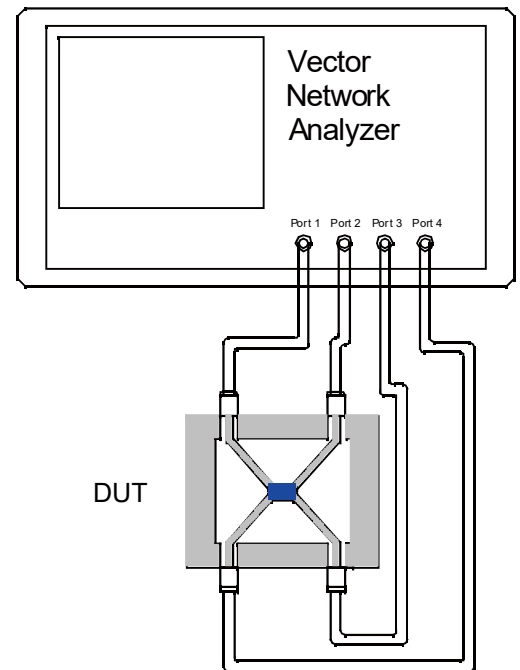
Parameter	Description
<b>VSWR</b>	Voltage standing wave ratio, the impedance match to $50\ \Omega$ , the ideal value is 1:1.
<b>Return Loss</b>	Loss of signal power resulting from the reflection caused by discontinuity of transmission line.
<b>Insertion Loss</b>	The input power divided by sum of power at the Forward Coupled port & transmission port
<b>Forward Coupled</b>	The input power divided by the power at coupling port.
<b>Transmission</b>	The input power divided by the power at transmission port.
<b>Directivity</b>	The power at the Forward Coupled port divided by the power at the Reflected Coupled port

### Test Method

1. Calibrating your vector network analyzer.
2. Connect the VNA 4 Port to DUT respectively.
3. Measure the data of Forward coupled through port 1 to port 4(S41).
4. Measure the data of transmission through port 1 to port 3(S31).
5. Measure the data of Reflected Coupled through port 1 to port 2(S21).
6. Measure the data of return loss port 1, port 3.
7. According to the above data to calculate insertion loss, directivity.

Note:

1. When calculating insertion loss at room temperature, coupling & transmission data both need remove demo board loss. Please see demo board loss data below the table :

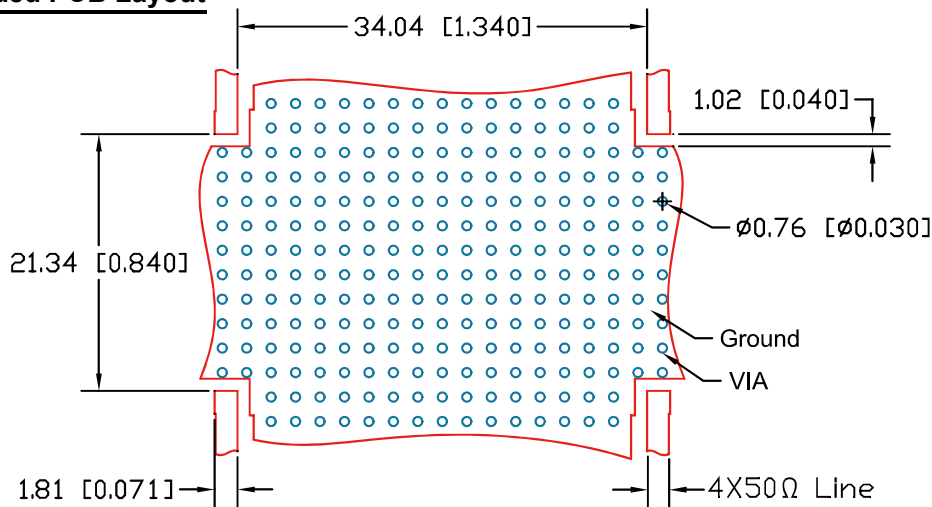


### Yantel Corporation

Add: 3F, Building 3, Southern District 2 of Zhongguan Honghualing Industrial Park, Xili, Nanshan, Shenzhen, China  
 Tel: 86-755-8355-1886 Fax: 86-755-8355-2533

For detailed performance specs & shopping online see Yantel web site : [www.yantel-corp.com](http://www.yantel-corp.com)

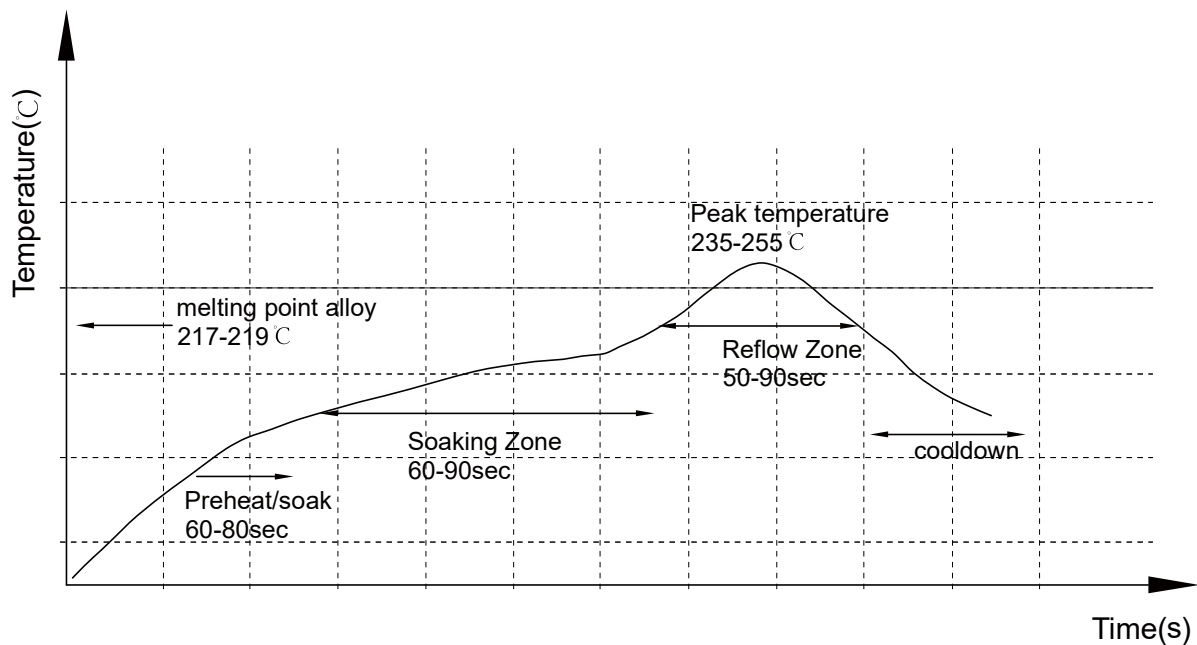
### Recommended PCB Layout



### NOTE:

1. 50Ω line width is shown above designing from RO4003 dielectric thickness 0.81mm; copper 1 OZ
2. Bottom side of the PCB is continuous ground plane.
3. All dimensions shown in mm [inch].

### Reflow Profile

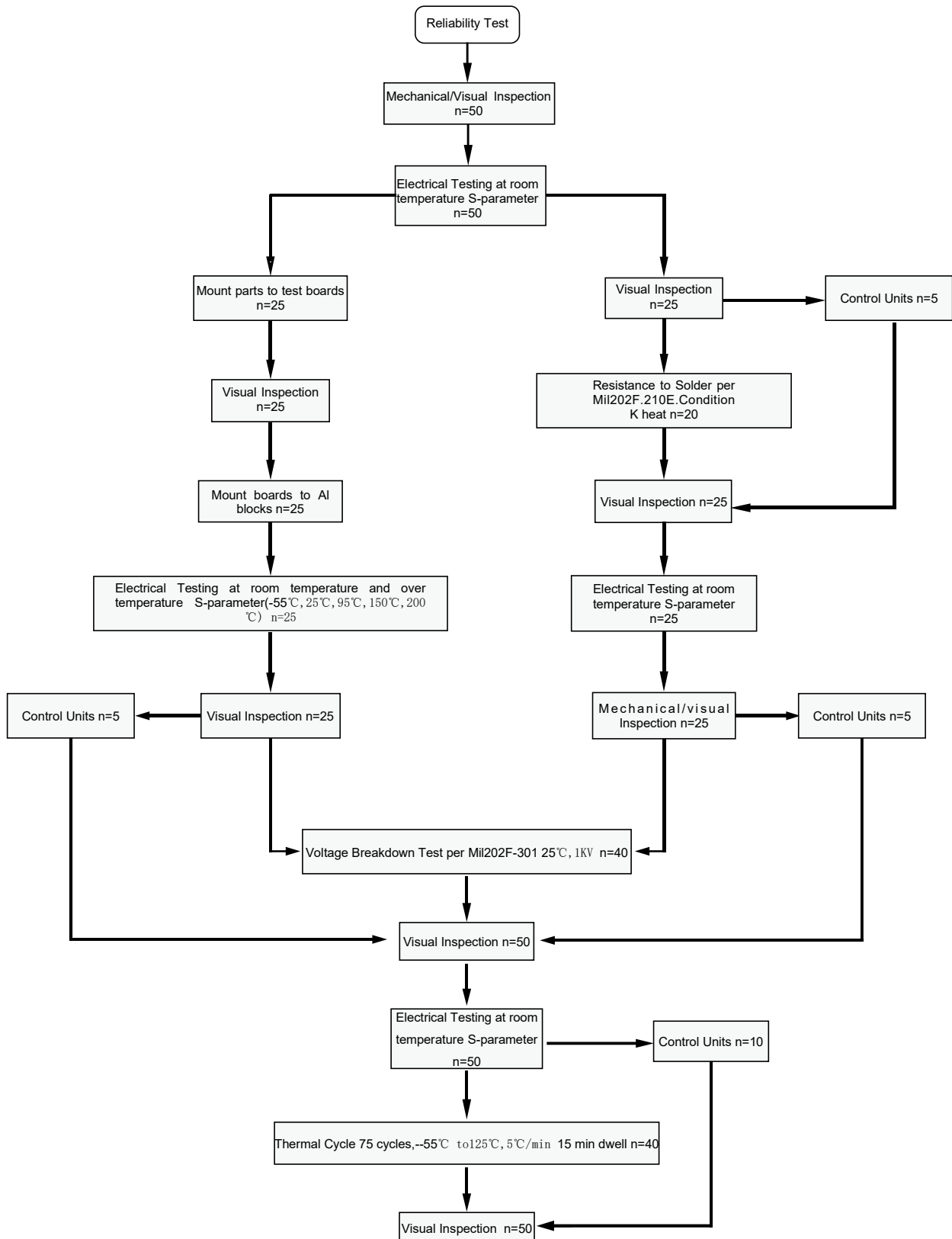


### Yantel Corporation

Add: 3F, Building 3, Southern District 2 of Zhongguan Honghualing Industrial Park, Xili, Nanshan, Shenzhen, China  
 Tel: 86-755-8355-1886 Fax: 86-755-8355-2533

For detailed performance specs & shopping online see Yantel web site : [www.yantel-corp.com](http://www.yantel-corp.com)

### Reliability Test Flow



### Yantel Corporation

Add: 3F, Building 3, Southern District 2 of Zhongguan Honghualing Industrial Park, Xili, Nanshan, Shenzhen, China

Tel: 86-755-8355-1886 Fax: 86-755-8355-2533

For detailed performance specs & shopping online see Yantel web site : [www.yantel-corp.com](http://www.yantel-corp.com)

### Reliability Test Flow

