

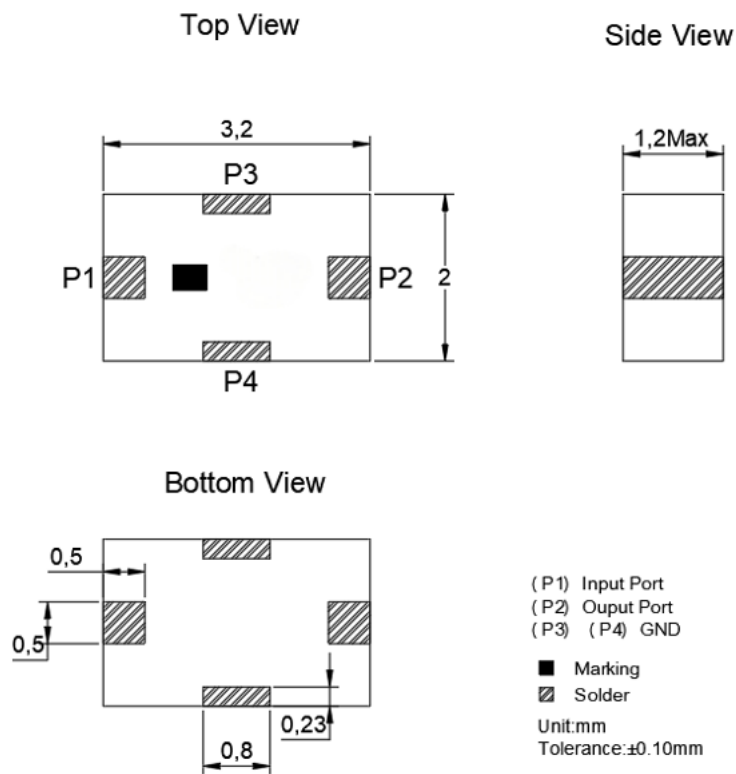
### Features

- Multilayer monolithic construction yields high reliability
- Low insertion loss and small size SMD chip design
- Can simplify your complex tuning and circuit design
- LTCC process

### Specifications

NO.	Parameter		SPEC
1	Frequency (MHz)		3180 - 3420
2	Insertion loss (dB)		1.75 max.
3	Ripple (dB)		0.8 max
4	VSWR		2.0 max
5	Attenuation (dB)	2800MHz	25 min.
		3850 MHz	25 min.
6	In/Output Impedance ( $\Omega$ )		50

### Dimensions



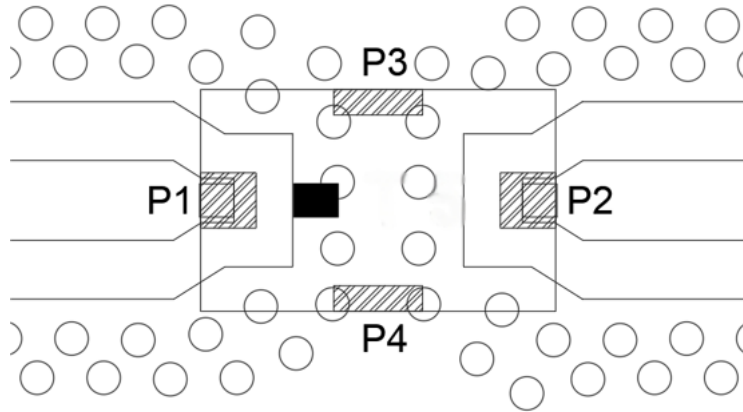
### Yantel Corporation

Add: No.308-322,3F,Building 1,Juchuang Jingu Innovation Park,Wenyuan Road 35,Xili Street,Nanshan,Shenzhen,China

Tel: 86-755-8355-1886 Fax: 86-755-8355-2533

For detailed performance specs & shopping online see Yantel web site : [www.yantel-corp.com](http://www.yantel-corp.com)

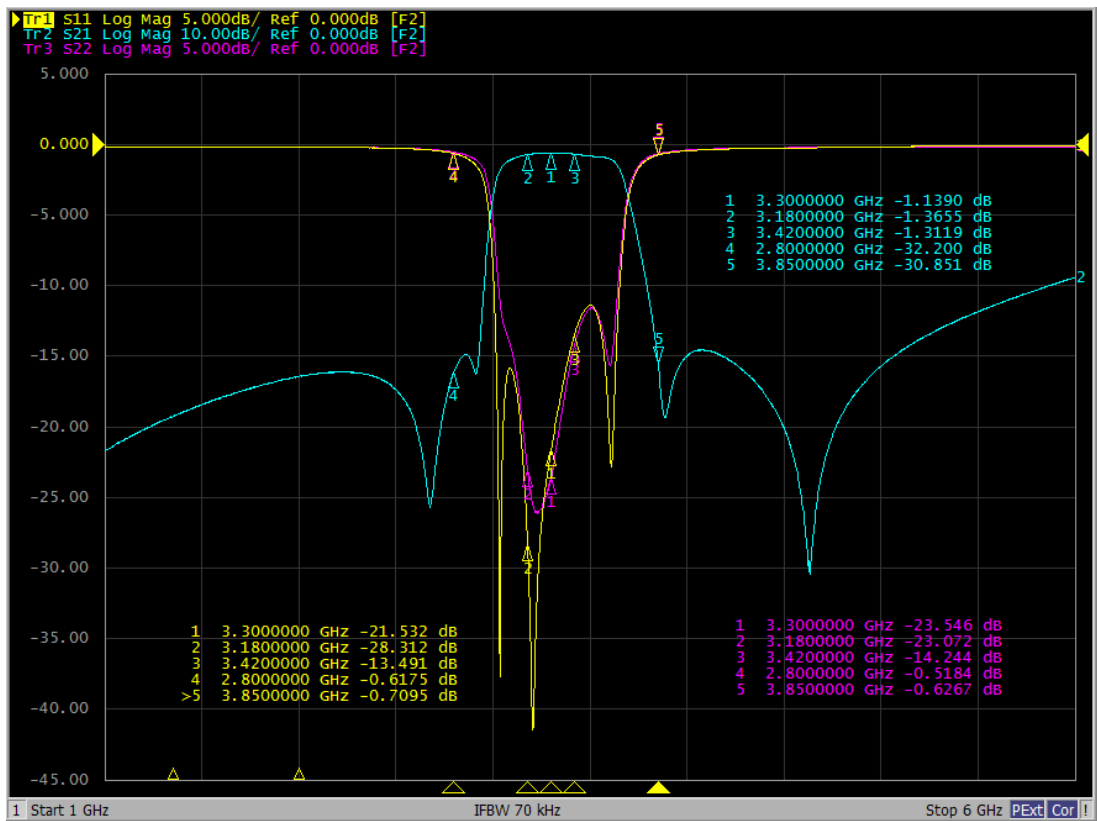
### Mounting Considerations



Unit: mm

Line width to be designed to match 50  $\Omega$  characteristic impedance, depending on PCB material and thickness

### Typical Electrical Characteristics (T=25°C)



### Yantel Corporation

Add: No.308-322,3F,Building 1,Juchuang Jingu Innovation Park,Wenyuan Road 35,Xili Street,Nanshan,Shenzhen,China

Tel: 86-755-8355-1886 Fax: 86-755-8355-2533

For detailed performance specs & shopping online see Yantel web site : [www.yantel-corp.com](http://www.yantel-corp.com)