

Features

- Multilayer monolithic construction yields high reliability
- Low insertion loss and small size SMD chip design
- Can simplify your complex tuning and circuit design
- LTCC process
- Isolation resistor, external 100 ohms

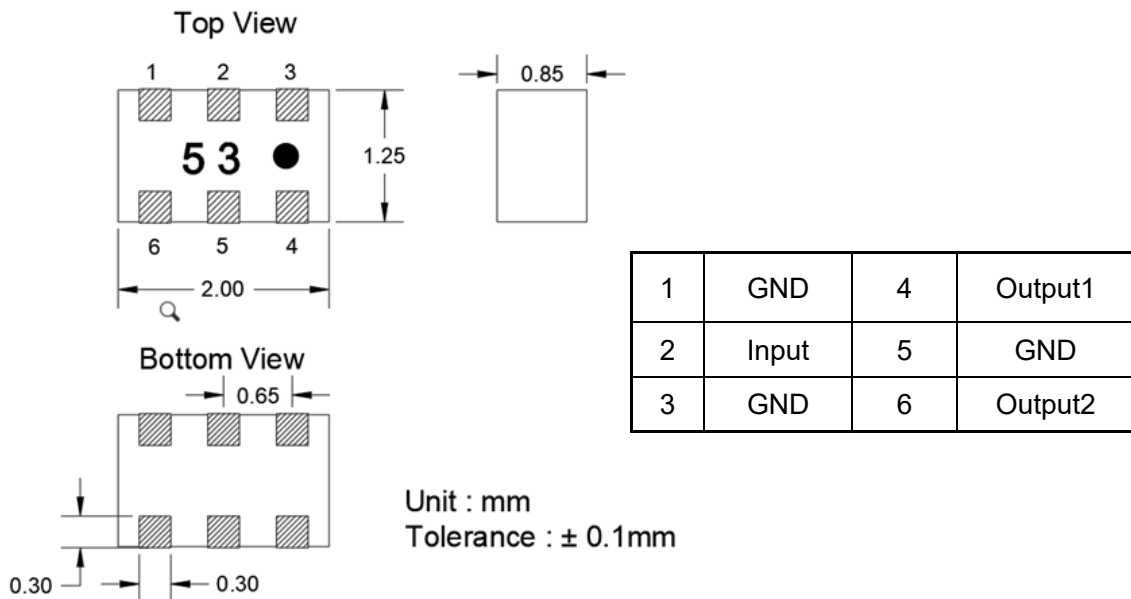
Specifications

NO.	Items	Spec	Unit
1	Frequency range	4550~5900	MHz
2	Insertion Loss, above 3.0 dB	0.7 max.	dB
3	Isolation.	14 min.	dB
4	Phase Unbalance	4 max.	°
5	Amplitude Unbalance	0.3 max.	dB
6	Return Loss (Input)	7.9 min.	dB
7	Return Loss (Output)	11 min.	dB

Operating & Storage Condition (Component)
 Operation Temperature Range: -40°C ~ +85°C
 Storage Temperature Range: -40°C ~ +85°C

Storage Condition before Soldering (Included packaging material)
 Storage Temperature Range: +5 ~ +40 °C
 Humidity: 30 to 70% relative humidity

Construction & Dimensions



Yantel Corporation

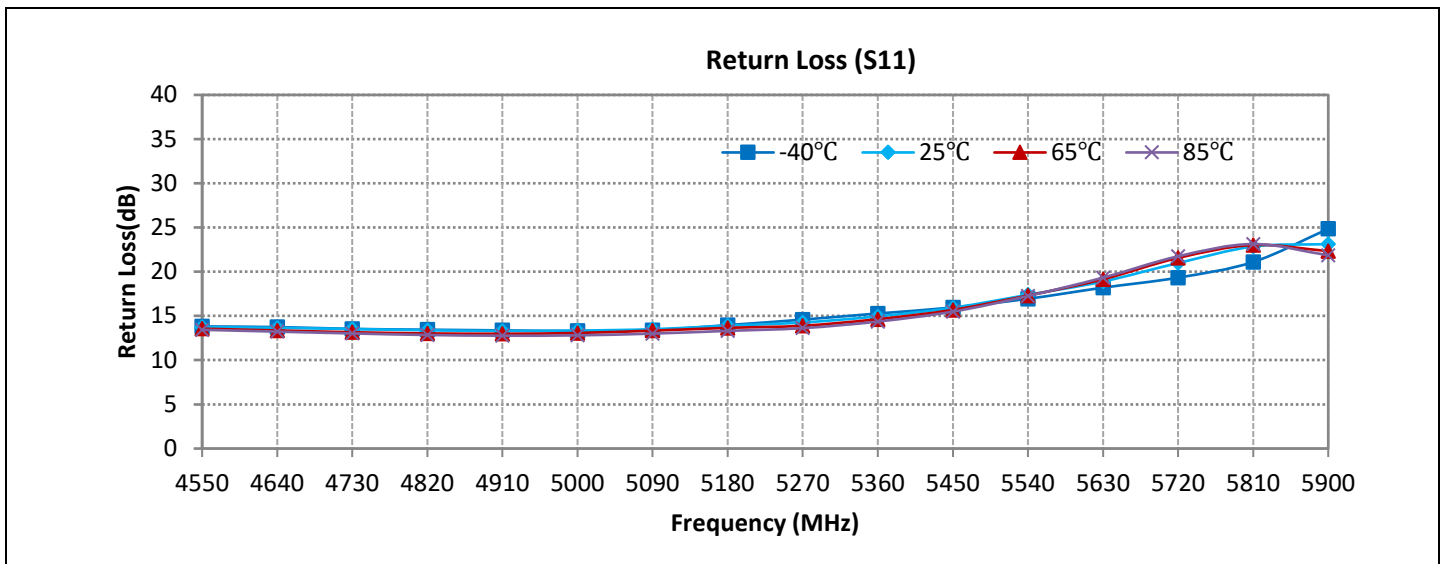
Add: No.308-322,3F,Building 1,Juchuang Jingu Innovation Park,Wenyuan Road 35,Xili Street,Nanshan,Shenzhen,China
 Tel: 86-755-8355-1886 Fax: 86-755-8355-2533

For detailed performance specs & shopping online see Yantel web site : www.yantel-corp.com

Typical Performance Data T=25°C

Frequency (MHz)	Transmission Loss (dB)		Amplitude Unbalance (dB)	Isolation (dB)	Return Loss (dB) (Input) (S11)	Return Loss (dB) (Output 1) (S22)	Return Loss (dB) (Output 2) (S33)	Phase (deg)		Phase Unbalance (dB)	Insertion Loss (dB)
	Port1	Port2						Port1	Port2		
4550.00	3.35	3.28	0.07	18.22	13.74	24.55	21.56	-50.87	-50.48	-0.39	0.30
4640.00	3.36	3.27	0.09	19.11	13.65	21.76	19.76	-52.04	-51.73	-0.31	0.31
4730.00	3.37	3.27	0.09	20.09	13.52	20.20	18.18	-53.29	-52.97	-0.32	0.31
4820.00	3.38	3.28	0.10	21.35	13.38	18.45	17.05	-54.44	-54.15	-0.28	0.32
4910.00	3.40	3.30	0.10	22.63	13.30	17.51	16.13	-55.63	-55.26	-0.37	0.34
5000.00	3.40	3.29	0.11	24.59	13.34	16.59	15.34	-56.85	-56.44	-0.41	0.33
5090.00	3.40	3.29	0.12	26.99	13.50	15.88	14.76	-58.05	-57.76	-0.29	0.34
5180.00	3.39	3.27	0.11	30.91	13.90	15.52	14.41	-59.32	-59.02	-0.29	0.32
5270.00	3.39	3.27	0.12	34.60	14.26	14.85	14.12	-60.56	-60.28	-0.28	0.32
5360.00	3.38	3.25	0.13	33.76	14.95	14.32	13.85	-61.95	-61.49	-0.47	0.31
5450.00	3.38	3.23	0.15	29.36	15.93	14.17	13.91	-63.40	-63.00	-0.40	0.30
5540.00	3.36	3.21	0.15	25.79	17.39	14.23	13.97	-64.98	-64.58	-0.40	0.28
5630.00	3.36	3.20	0.16	23.23	18.90	13.99	13.95	-66.47	-66.17	-0.30	0.27
5720.00	3.36	3.20	0.16	21.22	20.98	14.06	14.02	-67.96	-67.71	-0.25	0.27
5810.00	3.38	3.20	0.18	19.63	22.85	14.01	14.13	-69.64	-69.22	-0.42	0.28

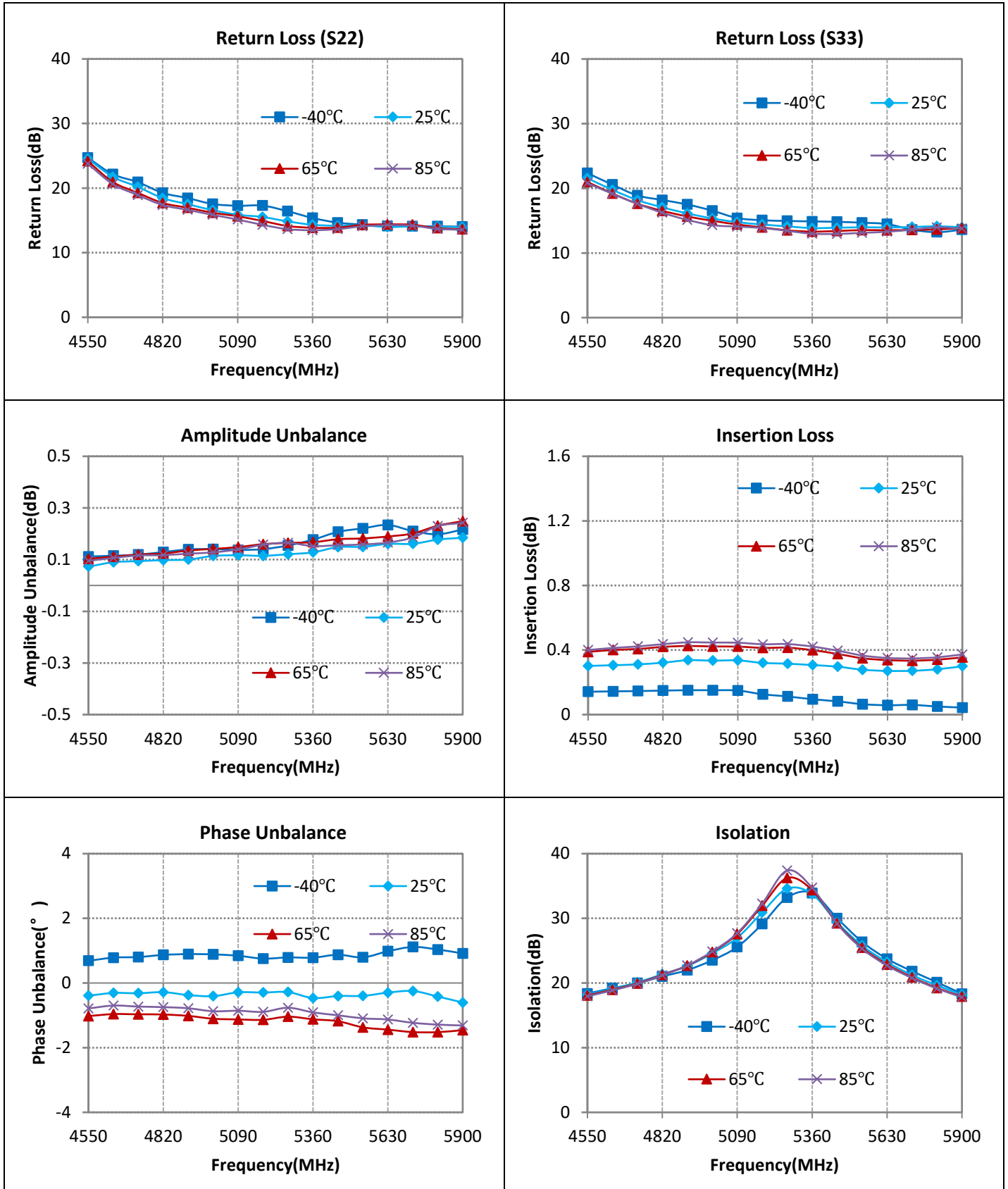
Typical Electrical Characteristics (T=-40°C,25°C,65°C,85°C)



Yantel Corporation

Add: No.308-322,3F,Building 1,Juchuang Jingu Innovation Park,Wenyuan Road 35,Xili Street,Nanshan,Shenzhen,China
 Tel: 86-755-8355-1886 Fax: 86-755-8355-2533

For detailed performance specs & shopping online see Yantel web site : www.yantel-corp.com

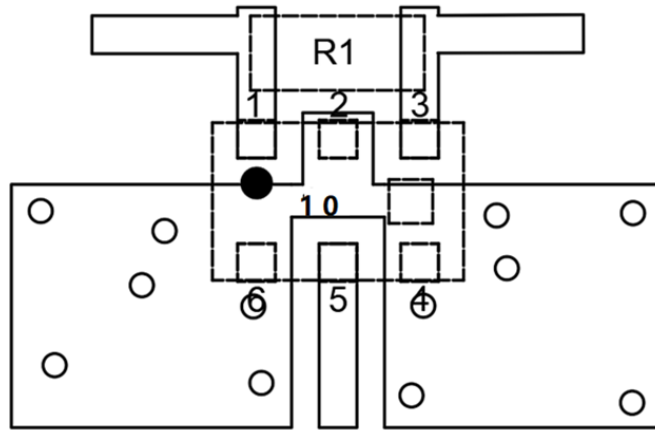
Typical Electrical Characteristics (T=-40°C,25°C,65°C,85°C)

Yantel Corporation

Add: No.308-322,3F,Building 1,Juchuang Jingu Innovation Park,Wenyuan Road 35,Xili Street,Nanshan,Shenzhen,China

Tel: 86-755-8355-1886 Fax: 86-755-8355-2533

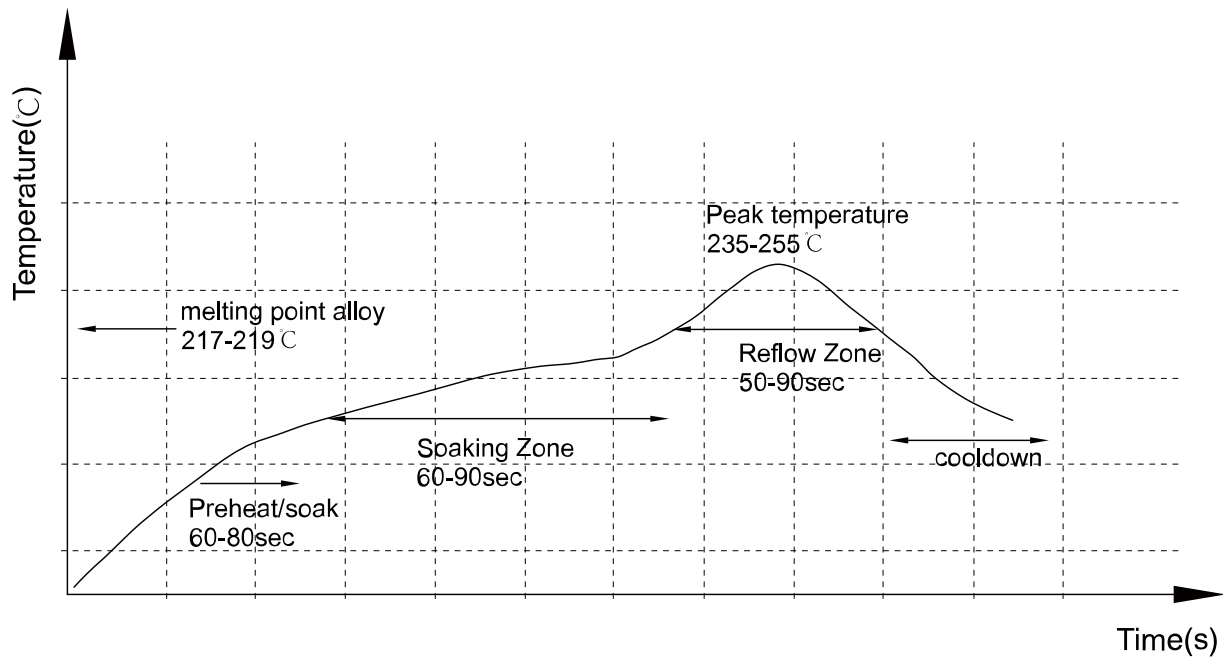
For detailed performance specs & shopping online see Yantel web site : www.yantel-corp.com

Mounting Considerations



R1:100Ω,0402 Size

Reflow Profile

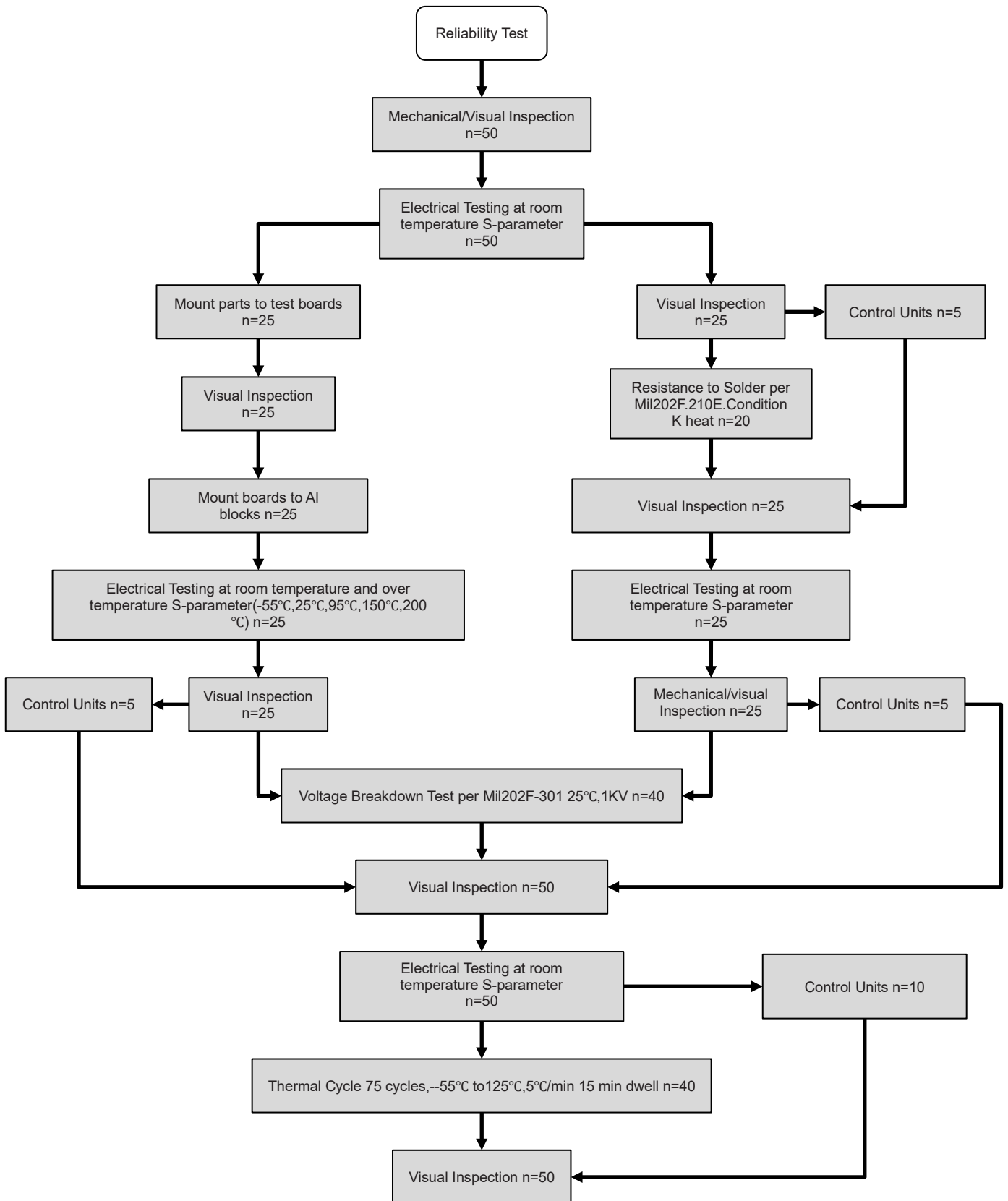


Yantel Corporation

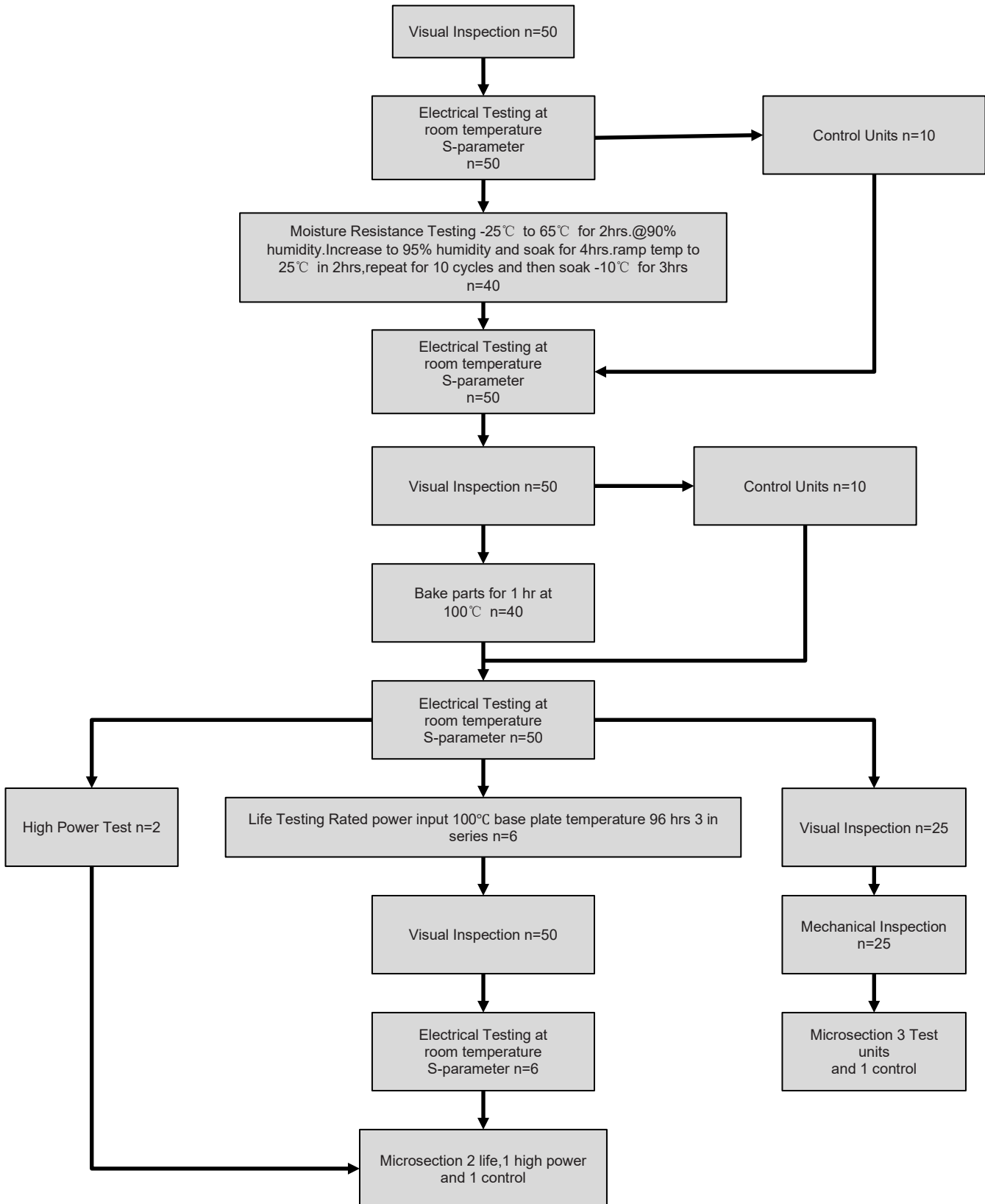
Add: No.308-322,3F,Building 1,Juchuang Jingu Innovation Park,Wen Yuan Road 35,Xili Street,Nanshan,Shenzhen,China
 Tel: 86-755-8355-1886 Fax: 86-755-8355-2533

For detailed performance specs & shopping online see Yantel web site : www.yantel-corp.com

Reliability Test Flow



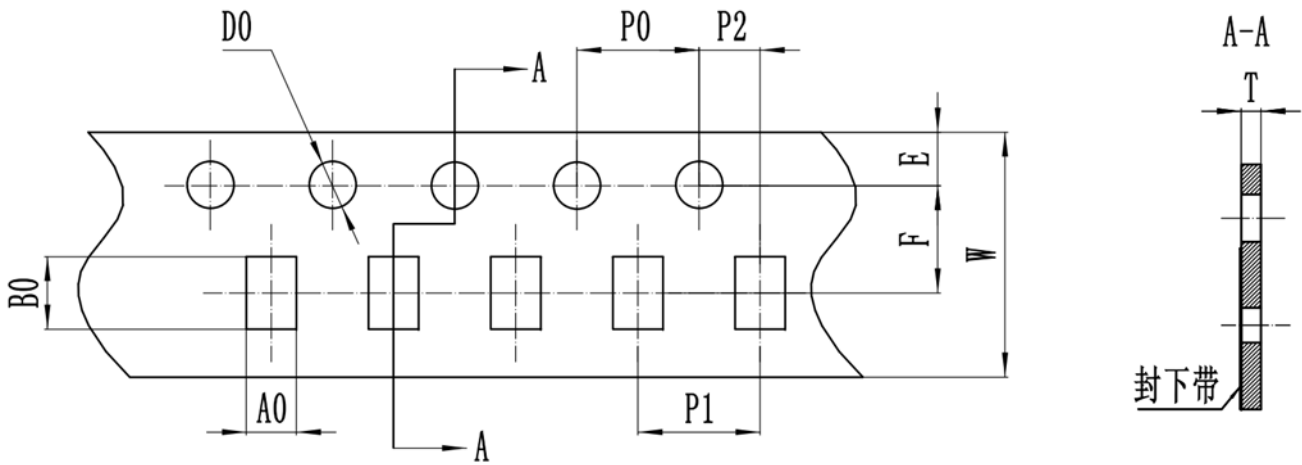
Reliability Test Flow



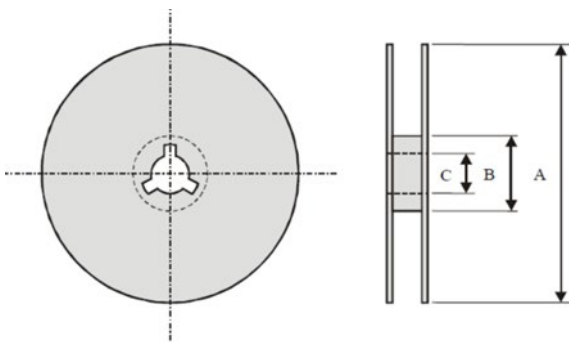
Yantel Corporation

Add: No.308-322,3F,Building 1,Juchuang Jingu Innovation Park,Wenyuan Road 35,Xili Street,Nanshan,Shenzhen,China
 Tel: 86-755-8355-1886 Fax: 86-755-8355-2533

For detailed performance specs & shopping online see Yantel web site : www.yantel-corp.com

Plastic Tape specifications (unit: mm)


Index	A0	B0	ØD	T	W	E	F	P0	P1	P2
Dimension (mm)	1.50 ± 0.05	2.25 ± 0.05	1.55 ± 0.05	1.07 ± 0.05	8.0 ± 0.1	1.75 ± 0.1	3.50 ± 0.05	4.0 ± 0.1	4.0 ± 0.1	2.00 ± 0.05



Index	A	B	C
Dimension (mm)	Ø177.8	Ø56.8	Ø11.1

Taping Quantity: 4000 pieces per 7" reel
Yantel Corporation

Add: No.308-322,3F,Building 1,Juchuang Jingu Innovation Park,Wenyuan Road 35,Xili Street,Nanshan,Shenzhen,China

Tel: 86-755-8355-1886 Fax: 86-755-8355-2533

For detailed performance specs & shopping online see Yantel web site : www.yantel-corp.com