

YT-JEPS-16-1W+

Features

- good isolation, 20 dB typ.
- good output matching, VSWR 1.35 typ.
- shielded case
- aqueous washable
- good coplanarity

Applications

- clock distribution
- cellular

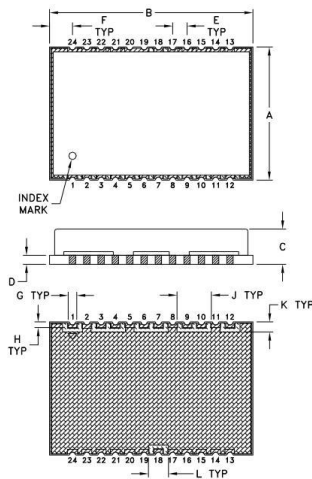


16 Way-0° 50Ω 5 to 1000 MHz

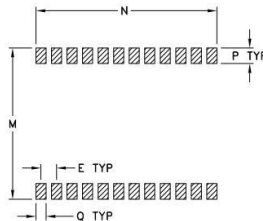
Electrical Specifications

Parameter	Frequency (MHz)	Min.	Typ.	Max.	Uni
Inertion loss	5 - 1000	12.8	13.5	14.8	dB
Isolation	5 - 1000	18	22	38	dB
Phase Unbalance	5 - 1000	7	-	11	Degree
Amplitde Unbalance	5 - 1000	-	0.5	0.7	dB
VSWR (Port S)	5 - 1000	-	1.2	1.35	:1
VSWR (Port 1-8)	5 - 1000	-	1.2	1.35	:1

Outline Drawing



PCB Land Pattern



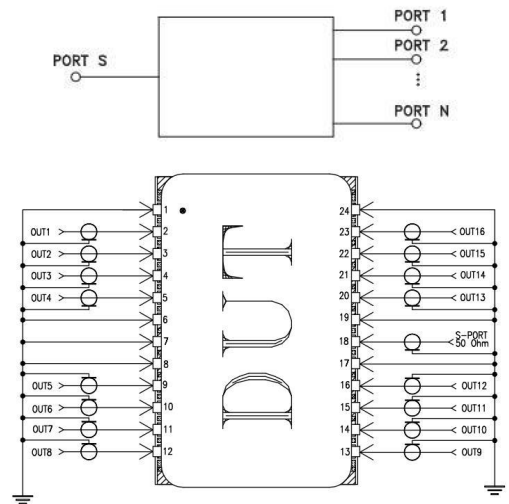
Outline Dimensions (mm)

A	23.70	G	1.50	N	29.60
B	36.00	H	1.00	P	2.54
C	6.40	J	6.00	Q	1.65
D	1.60	K	1.80	WT	7.00
E	2.54	L	3.60		
F	4.10	M	24.70		

Pin Connections

SUM PORT	18	PORT 6	10	PORT 12	16
PORT 1	2	PORT 7	11	PORT 13	20
PORT 2	3	PORT 8	12	PORT 14	21
PORT 3	4	PORT 9	13	PORT 15	22
PORT 4	5	PORT 10	14	PORT 16	23
PORT 5	9	PORT 11	15	GND	1,6,7,8, 17, 19,24

electrical schematic



Maximum Ratings

Operating Temperature	-40°C to 85°C
Storage Temperature	-55°C to 100°C
Power Input (as a splitter)	0.5W max.
Internal Dissipation	0.3W max.

Permanent damage may occur if any of these limits are exceeded.

Yantel Corporation

Add: No.308-322,3F,Building 1,Juchuang Jingu Innovation Park,Wenyuan Road 35,Xili Street,Nanshan,Shenzhent,China
Tel 86-755-8355-1886 Fax 86-755-8355-2533

For detailed performance specs & shopping online see Yantel web site : www.yantel-corp.com