

Yantel Corporation

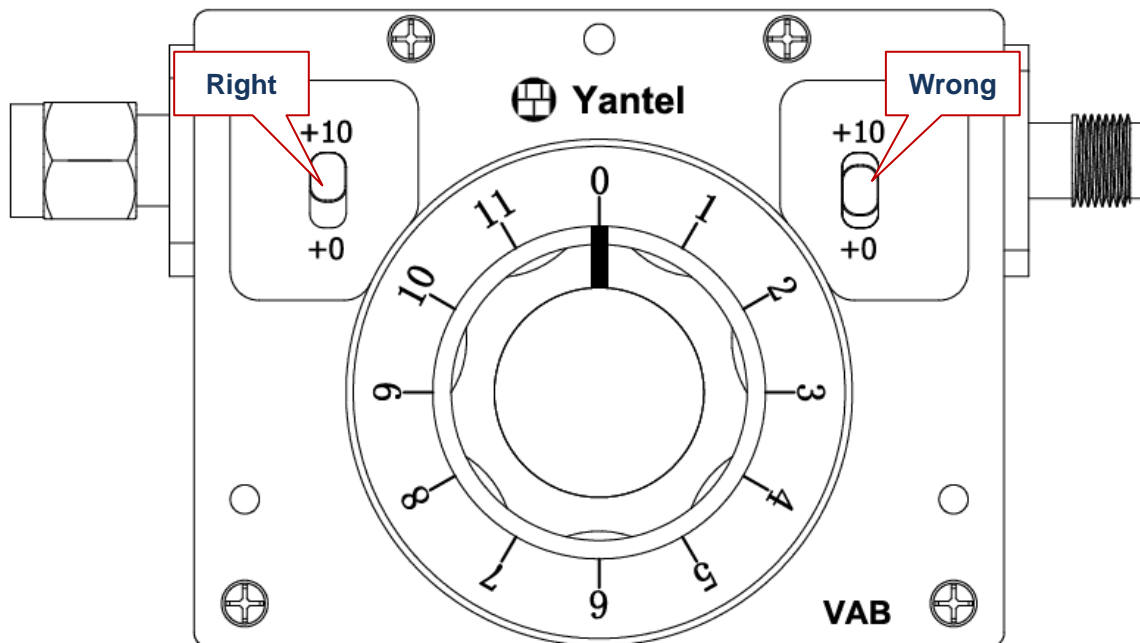
VAB3101S, VAB3101SA

Attenuation range:0-31dB, step variable,1dB/step, DC-3GHz

Operating Instructions

1. Attenuation Adjusting Attention

To get standard attenuation accuracy when adjusting the part, you should push the button to the end(+10 or +0) rather than the middle position(see below).



2. Attenuation Adjusting Instructions

- 0-11dB** Knob A should be counterclockwise back to 0. Turn A clockwise to get the attenuation value you need.
- 10-21dB** Knob A should be counterclockwise back to 0 and B at +10. Turn A clockwise to get the attenuation value you need.
- 20-31dB** Knob A should be counterclockwise back to 0 , B at +10 and C at +10. Turn A clockwise to get the attenuation value you need.

Yantel Corporation

Add: 2F, Building 2, Gaofa Technology Park, LongJing, Nanshan, Shenzhen, China
Tel: 86-755-8355-1886 Fax: 86-755-8355-2533

Remark:

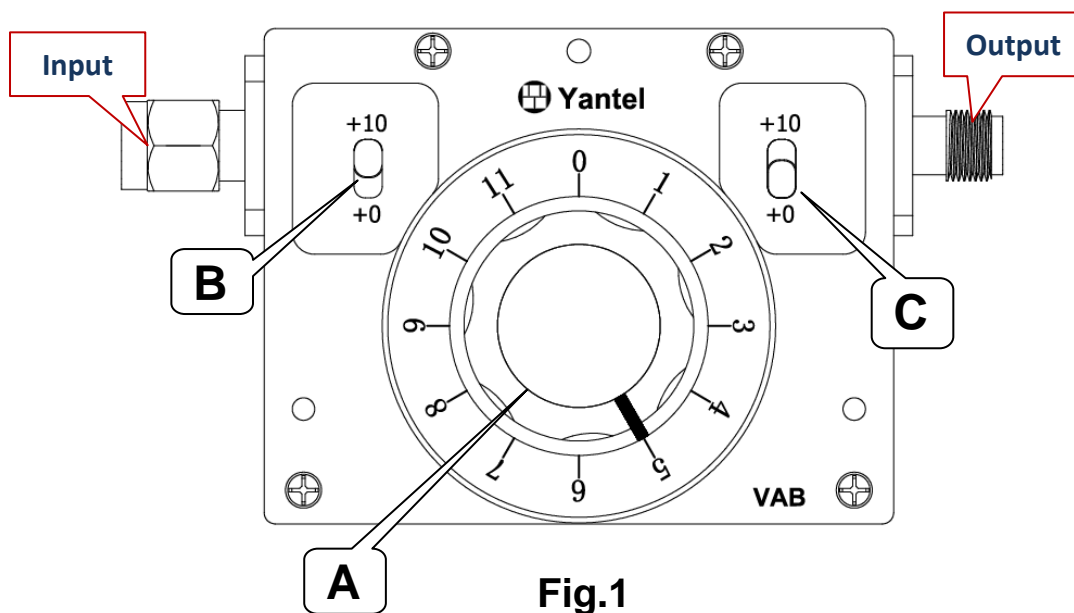
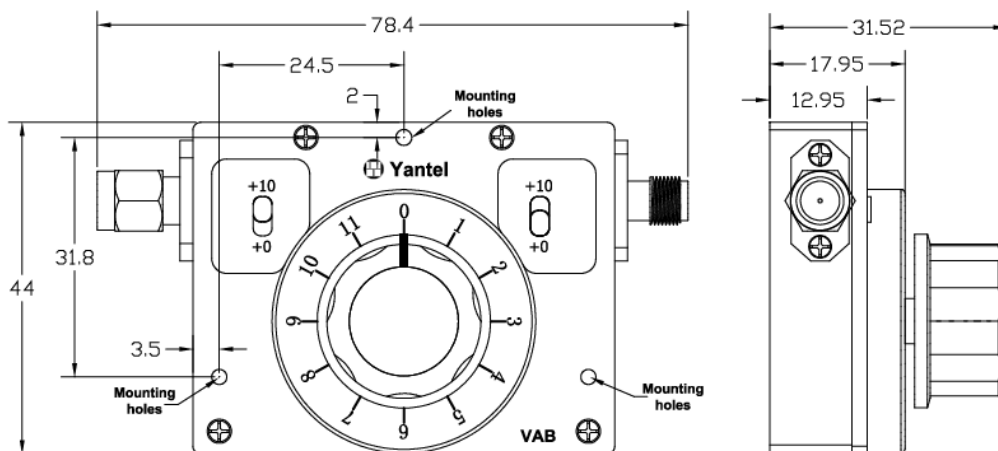
Suggested Sequence about B and C is to use the button first which is near the Input.

When the signal input port is near B, use B first, C second. Otherwise, C first, B second.

In that way, return loss of Output port will be the best.

Example:

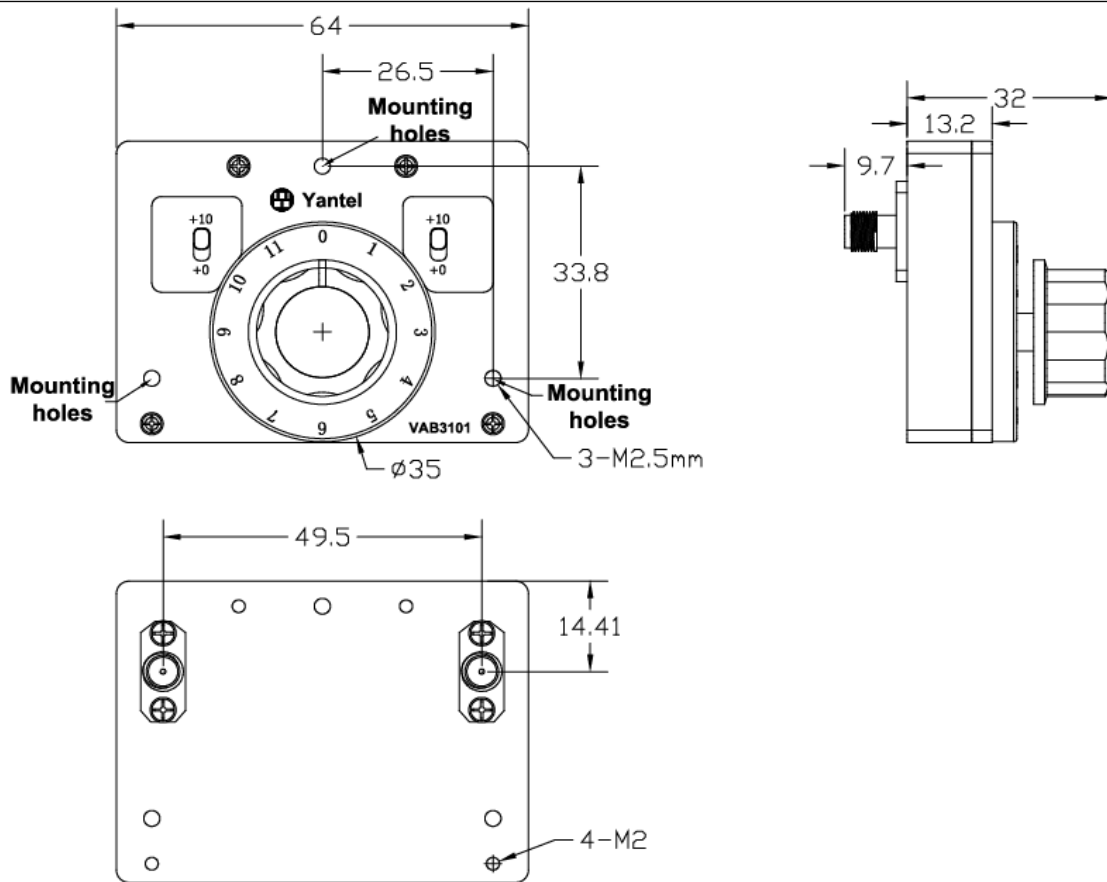
if 15dB is what you need and the left port is Input, you should first turn A counterclockwise back to 0 and push B to +10, then turn A to +5 and finally get 15dB.


3.Mounting Instructions (in mm)
Outline Dimensions

VAB3101S

Yantel Corporation

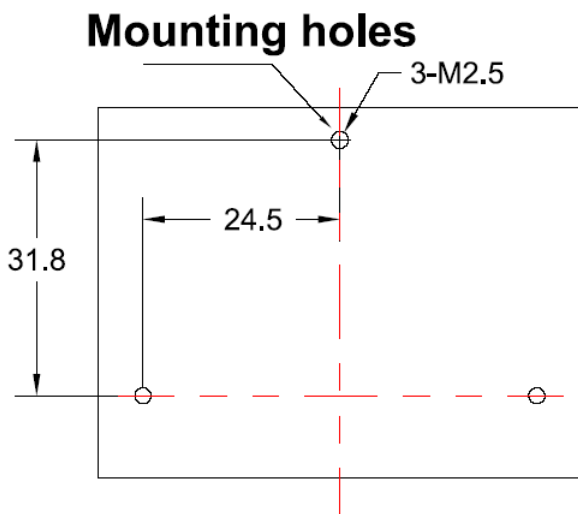
Add: 2F, Building 2, Gaofa Technology Park, LongJing, Nanshan, Shenzhen, China

Tel: 86-755-8355-1886 Fax: 86-755-8355-2533

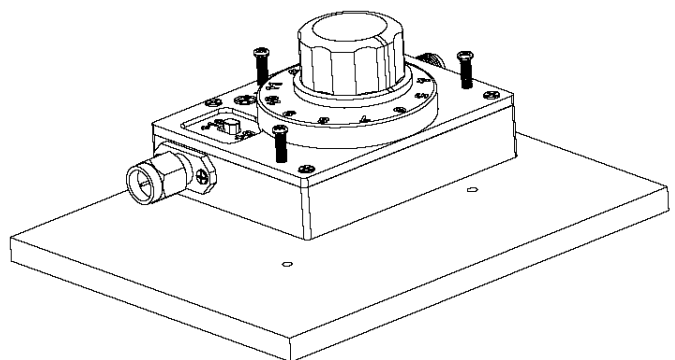


VAB3101SA

(1) VAB3101S can be mounted on the bottom base of customers' equipment.(Provide M2.5 x 16 mm screw)



Mounting hole dimension 1



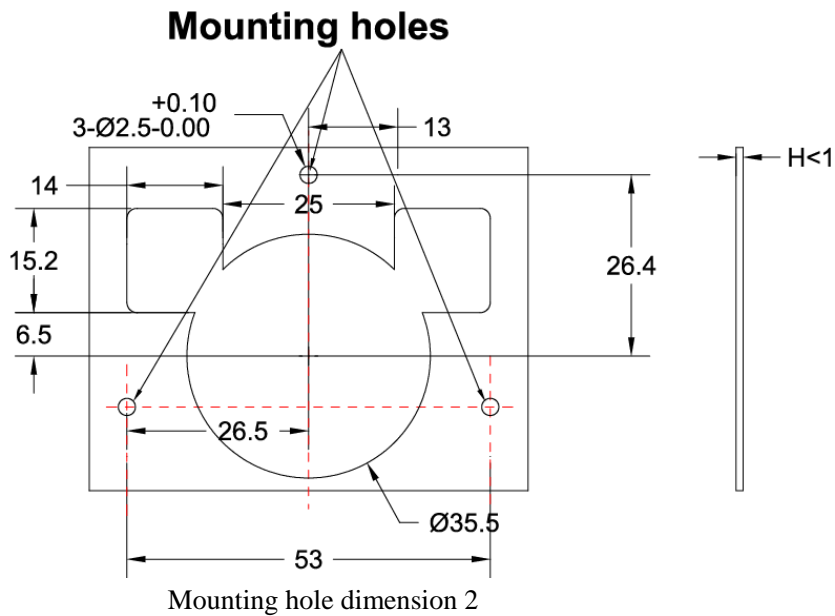
Mounting Diagram 1

Yantel Corporation

Add: 2F, Building 2, Gaofa Technology Park, LongJing, Nanshan, Shenzhen, China

Tel: 86-755-8355-1886 Fax: 86-755-8355-2533

(2) VAB3101SA can be mounted on the customers' control panel. (Provide M2.5 x 6 mm screw)



Mounting Diagram 2

4. Attention: attempt to disassemble parts may cause damage and void your warranty.